



Owner's and Safety Manual

for Gasoline Chain Saws (pages 2 - 30)

Manuel d'emploi et de sécurité

de tronçonneuses thermiques (pages 31 - 59)



DCS 340

DCS 341

DCS 400

DCS 401

WARNING!

Read and understand this Manual. Always follow safety precautions in the Owner's and Safety Manual. Improper use can cause serious injury! Preserve this Manual carefully!

ATTENTION!

Suivez toujours les conseils de sécurité du présent manuel d'emploi et de sécurité. Une utilisation incorrecte de la tronçonneuse peut entraîner des blessures graves! Conservez avec soin ce manuel. Lisez et comprenez ce manuel.

WARNING !

Careless or improper use of this product can cause serious or even fatal injury.

Before operating a chain saw or other MAKITA products it is important that you read, fully understand and carefully follow the instructions outlined in this owners manual. Kickback may cause severe or fatal injury and is one of many potential dangers in operating a chain saw. Kickback and other safety related precautions are described in detail within this owners manual. Additional owners manuals are available from MAKITA USA, INC., 14930-C Northam Street, La Mirada, CA 90638-5753, Telephone: (714) 522 80 88 and MAKITA CANADA INC., 1950 Forbes Street, Whitby, Ontario, Canada, L1N 7B7, Telephone: (905) 571 22 00.

This product complies with: American National Standard Institute B 175.1-1991 chain saw safety standard.
Canadian Standards Association Z62.1-95 chain saw safety standard.
Z62.3-96 chain saw kickback standard.

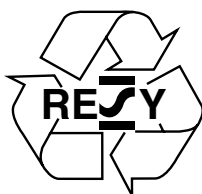
With the purchase of this chain saw you have chosen a German quality product. Important instructions for the assembly and operation of this saw are given in this manual. For your own safety, we ask you to read the accident prevention instructions very carefully before putting your chain saw into operation, as incorrect handling can, despite all precautions, lead to accidents. With a little care and attention you will have good service and lasting satisfaction from this first-rate product. The following industrial property rights apply: GSM MR 11414, GBM 9212059, GBM 29616652.



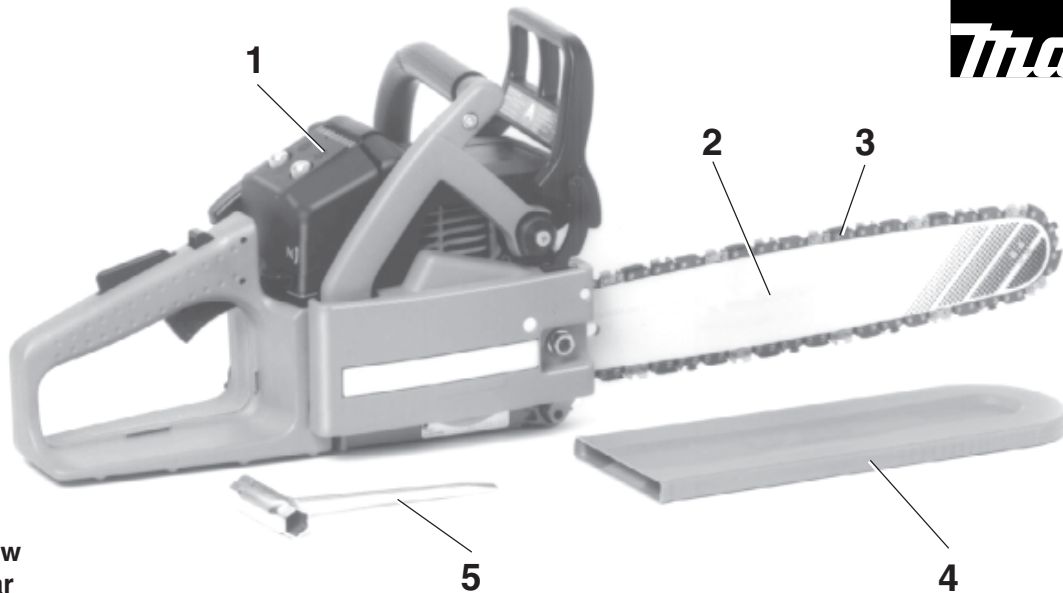
MAKITA DCS 340, DCS 341, DCS 400, DCS 401

Contents	Page	Contents	Page
Delivery inventory	3	Adjusting the carburetor	23
Symbols	3	Working in winter	24
Safety precautions	4-15	Sharpening the saw chain	24-25
Denomination of components	16	Cleaning the guide bar	25
Technical data	17	Cleaning the brake band and sprocket	26
Approved bar and chain combinations	17	Replacing the suction head	26
Mounting the guide bar, saw chain	18-19	Replacing the saw chain	26
Checking the chain tension	19	Replacing / cleaning the spark arrester screen	26
Safety chain brake	20	Cleaning the air filter	27
Fuel / Refuelling	20-21	Replacing the spark plug	27
Starting the engine	22	Instructions for periodic maintenance	28
Stopping the engine	22	Service, spare parts and guarantee	28-29
Checking the safety chain brake	23	Troubleshooting	29
Checking the chain lubrication	23	Extract from the spare parts list	30

The MAKITA DCS 340/341/400/401 will be delivered in a protective cardboard box to prevent transport damage. Cardboard is a basic raw material and is consequently reuseable or suitable for recycling (waste paper recycling).



Delivery inventory



1. Chain saw
2. Guide bar
3. Saw chain
4. Chain protection cover
5. Assembly tool
6. Owner's manual (not shown)

In case one of the parts listed should not be included in the delivery inventory, please consult your sales agent.

Symbols

You will notice the following symbols on the chain saw and in the instruction manual:

	Read instruction manual and follow the warning- and safety precautions!		On/Off (I/O) switch		Kickback!
	Particular care and caution!		Stop engine!		Chain brake
	Forbidden!		Press starting valve		Fuel and oil mixture
	Wear protective helmet, eye and ear protection!		Engine -manual start		Chain oil fill/oil pump
	Wear protective gloves!		Choke lever		First aid
	No smoking!		Carburetor adjustment		Recycling
	No open fire!		Working in winter	Further symbols see page 5.	
			Working in summer		

Safety precautions for chain saw operators

While operating the chain saw please observe the following rules:

- a) Contact of the guide bar nose with any object should be avoided.
- b) Tip contact may cause the guide bar to move suddenly upward and backward, which may cause serious or fatal injury.
- c) Always operate the chain saw with both hands.

WARNING!

Read and follow all safety precautions in the owner's manual. Failure to follow instructions could result in serious injury.

WARNING!

This chain saw is capable of severe kickback that could result in serious injury to the operator. Do not operate this chain saw unless you have extraordinary cutting needs and experience in and special training for dealing with kickback. Chain saws with significantly reduced kickback potential are available.

WARNING!

Kickback may occur when the nose or tip of the guide bar touches an object, or when the wood closes in and pinches the saw chain in the cut. This contact may abruptly stop the **saw chain** and in some cases may cause a lightning fast reverse **reaction**, kicking the guide bar up and back towards the user, or push the guide bar back towards the operator. **Kickback** may cause you to lose control of the saw.

As a chain saw user, you can take several steps to reduce the risk of a kickback and potential injury.

- A. With a basic understanding of kickback, you can reduce or eliminate the element of surprise. It is a sudden surprise that contributes to accidents.
- B. Keep a good firm grip on the saw with both hands, your right hand on the rear grip and your left hand on the tubular handle, when the engine is running. Use a firm grip with thumbs and fingers encircling the chain saw handles. A firm grip can neutralize kickback and help you maintain control of the saw. Don't let go!
- C. Make sure that the area in which you are cutting is free from obstructions. Do not let the nose of the guide bar contact the log, branch, or any other obstructions which could be hit while you are operating the saw.
- D. Do not overreach or cut above shoulder height.
- E. Follow manufacturer's sharpening and maintenance instructions for the saw chain.
- F. Only use replacement bars and chains specified by the manufacturer or the equivalent.

Additional safety precautions

The following additional safety precautions should be observed by all users of chain saws:

1. Do not operate a chain saw when you are fatigued.
2. Use safety footwear; snug-fitting clothing; protective gloves; and eye, hearing, and head protection devices.
3. Use caution when handling fuel. Move the chain saw at least 10 feet (3 m) from the fueling point before starting the engine.
4. Do not allow other persons to be near the chain saw when starting or cutting with the chain saw. Keep bystanders and animals out of the work area.
5. Do not start cutting until you have a clear work area, secure footing, and a planned retreat path from the falling tree.
6. Keep all parts of your body away from the saw chain when the engine is running.
7. Before you start the engine, make sure that the saw chain is not contacting anything.
8. Carry the chain saw with the engine stopped, the guide bar and saw chain to the rear, and the muffler away from your body.
9. Do not operate a chain saw that is damaged, is improperly adjusted, or is not completely and securely assembled. Be sure that the saw chain stops moving when the throttle control trigger is released.
10. Shut off the engine before setting it down.
11. Use extreme caution when cutting small size brush and saplings because slender material may catch the saw chain and be whipped toward you or pull you off balance.
12. When cutting a limb that is under tension be alert for springback so that you will not be struck when the tension on the wood fibers is released.
13. Keep the handles dry, clean, and free of oil or fuel mixture.
14. Operate the chain saw only in well-ventilated areas.
15. Do not operate a chain saw in a tree unless you have been specifically trained to do so.
16. All chain saw service, other than the items listed in the owner's manual maintenance instructions, should be performed by MAKITA. (For example, if improper tools are used to remove the flywheel or if an improper tool is used to hold the flywheel in order to remove the clutch structural damage to the flywheel could occur and could subsequently cause the flywheel to burst.)
17. When transporting your chain saw, use the chain protection cover.
18. Low kickback bars and low kickback chains are designed to reduce the risk of kickback injury. Ask your MAKITA dealer about these devices.

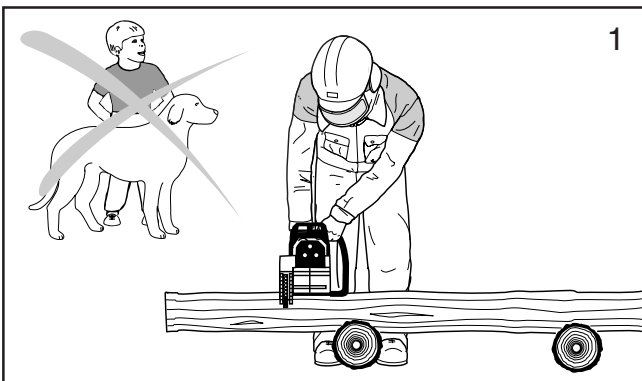
General Safety Precautions

The use of any chain saw may be hazardous. At full throttle chain speed can reach 45 mph (20 m/s). It is important that you read; fully understand and observe the following safety precautions and warnings. Read the owner's manual and the safety instructions periodically.

WARNING !

Reactive forces, including kickback, can be dangerous. Careless or improper use of any chain saw may cause serious or fatal injury.

Have your DOLMAR dealer show you how to operate your chain saw. Observe all applicable local safety regulations, standards and ordinances.



WARNING!

Minors should never be allowed to use a chain saw. Bystanders, especially children and animals should not be allowed in the area where a chain saw is in use (fig. 1). Never let the saw run unattended.

Store it in a locked place away from children. Fill the fuel tank to 7/8 th full (see storing the saw). Do not lend your chain saw without this owner's manual. Be sure that anyone using your saw understands the information given.

Proper use of a chain saw involves

1. the operator
2. the saw
3. the use of the saw.

Discription of symbols used on chain saws:



Z 62.1-95 and
Z 62.3-96
Class 1A

Compliance with
CSA -Standards

ANSI B175.1-1991

Compliance with
ANSI -Standards



45M6

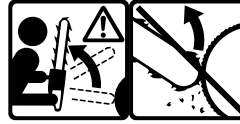
Chain Saw listed in accordance with American National Standard Safety Specifications for Gasoline Powered Chain Saws (ANSI B 175.1-1991).



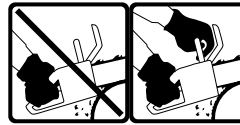
Maximum Computed Kickback Angle (CKA)* without using the chain brake when using the recommended bar and chain combinations (In this example the CKA is 45°).



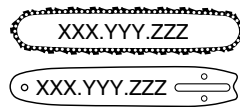
Maximum Computed Kickback Angle (CKA)* with using the chain brake when using the recommended bar and chain combinations (In this example the CKA is 40°).



Contact of the guide bar tip with any object should be avoided! Tip contact may cause the guide bar to move suddenly upward and backward, which may cause serious injury!



Always use two hands when operating the chain saw!



Reduced Kickback Bar and Chain combination that has been evaluated with the power head to achieve kickback protection (according to ANSI and CSA standards).

* The Computed Kickback Angle is a calculated value from energies measured on a test bench. It is not the angle of the guide bar moved upward in case of a KICKBACK.

The operator

Physical Condition

You must be in good physical condition and mental health and not under the influence of any substance (drugs, alcohol), which might impair vision, dexterity or judgment.



WARNING!

Prolonged use of chain saws exposing the operator to vibrations may produce Whitefinger disease (Raynaud's phenomenon). This phenomenon reduces the hand's ability to feel and regulate temperature, produces numbness and burning sensations and may cause nerve and circulation damage and tissue necrosis.

All MAKITA saws are therefore provided with an antivibration system which is essential for those using chain saws on a regular or sustained basis. Antivibration systems do not guarantee that you will not sustain Whitefinger disease, however, they reduce this danger considerably. Nevertheless, continual and regular users should observe their hands and fingers and in case of any abnormal symptoms, seek medical advice immediately.

Proper clothing

Clothing must be sturdy and snug-fitting, but allow complete freedom of movement. Avoid loose-fitting jackets, scarfs, neckties, jewelry, flared or cuffed pants, or anything that could become entangled with the saw or brush. Wear overalls or jeans with a reinforced cutting resistant insert (fig. 3).

Protect your hands with gloves when handling saw and saw chain. Heavy-duty, nonslip gloves improve your grip and protect your hands.



Good footing is most important in chain saw work. Wear sturdy boots with nonslip soles. Steel-toed safety boots are recommended.

Proper eye protection is a must. Non-fogging, vented goggles and a face screen is recommended. Their use reduces the risk of eye and facial injury.

Wear an approved safety hard hat to protect your head. Chain saw noise may damage your hearing. Always wear noise protection equipment (ear plugs or ear muffs) to protect your hearing.

Continual and regular users should have their hearing checked regularly.



The saw

Parts of the chain saw: illustrations and description of parts see page 16.

WARNING !

Never modify a chain saw in any way. Only attachments supplied by MAKITA or expressly approved by MAKITA for use with the specific saw are authorized.

WARNING !

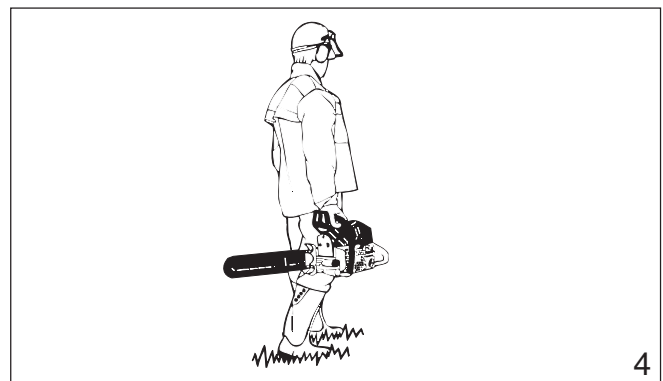
Bow guide bars substantially increase the potential for kickback and severe or fatal injury due to the greater kickback zone of the bow design. Bow guide bars are **not recommended** for use on MAKITA chain saws nor are they approved by the ANSI B 175.1-1991 chain saw safety standard.

The use of the saw

Transporting the chain saw

WARNING!

Always stop the engine before putting a chain saw down or carrying it. Carrying a chain saw with the engine running is extremely dangerous. Accidental acceleration of the engine can cause the chain to rotate. Avoid touching the hot muffler.



By hand: When carrying your saw by hand, the engine must be stopped and the saw must be in the proper position.

The chain protection cover should be over the chain and the guide bar must point backwards. When carrying your saw the bar should be behind you (fig. 4).

By vehicle: When transporting in a vehicle, keep chain and bar covered with the chain guard. Properly secure your saw to prevent turnover, fuel spillage and damage to the saw. Make sure the saw is not exposed to heat or sparks.

Chain saw operating instructions

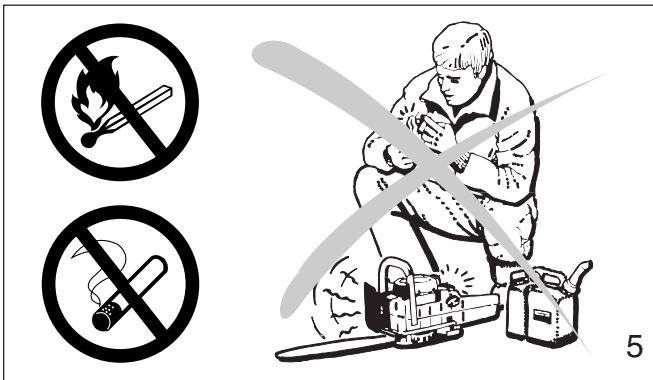
For assembly follow the procedure in the appropriate section "Mounting Guide Bar and Chain" of this manual. MAKITA chain, guide bar and sprocket must match each other (see the appropriate section in this manual).

WARNING!

Proper tension of the chain is extremely important. In order to avoid false setting the tensioning procedure must be followed as described in this manual. Always make sure the hexagonal nut(s) for the sprocket guard is (are) tightened securely after tensioning the chain. Check chain tension once more after having tightened the nuts and thereafter at regular intervals (always before starting to work). If the chain becomes loose while cutting, shut off the engine and then tighten. Never try to tighten the chain while the engine is running!

Fueling

Your MAKITA saw uses on oil-gasoline mixture for fuel (see chapter "Fuel" of this manual).



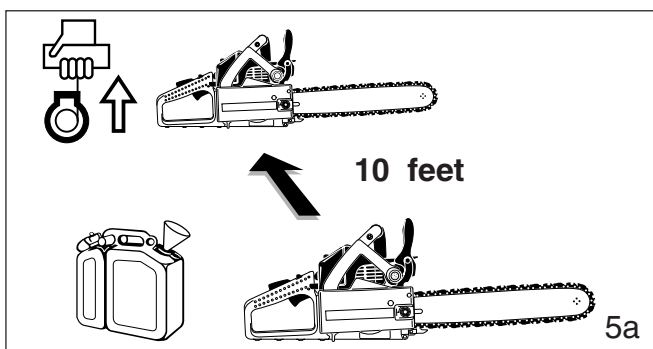
WARNING!

Gasoline is an extremely flammable fuel. Use extreme caution when handling gasoline or fuel mix. Do not smoke or bring any sparks or flame near the fuel (fig. 5).



Fueling instructions

Fuel your chain saw in well ventilated areas or outdoors. Always shut off the engine and allow it to cool before refueling. Select bare ground for fueling and move the chain saw at least 10 feet (3 m) from fueling spot before starting the engine (fig. 5a).

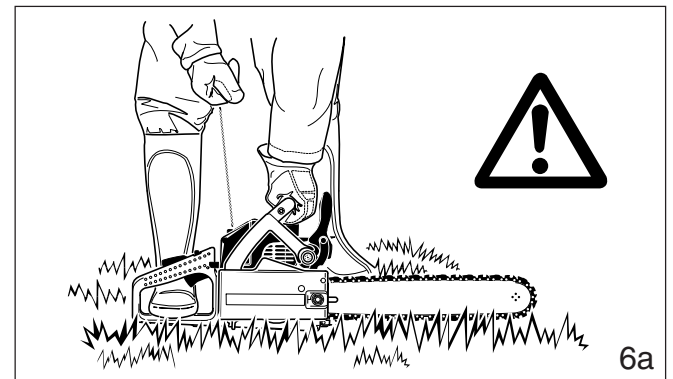
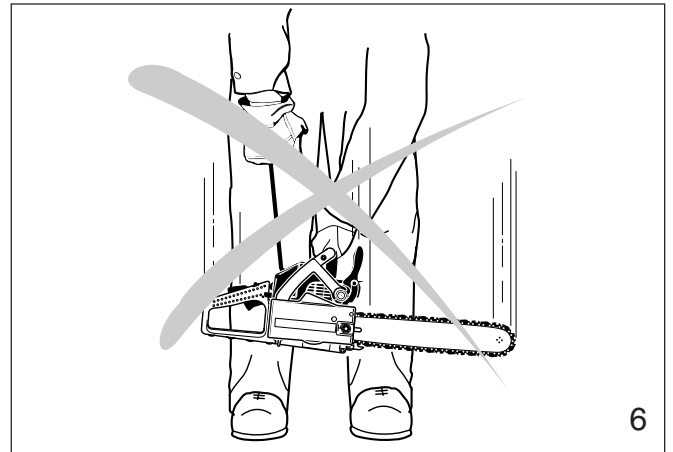


Wipe off any spilled fuel before starting your saw and check for leakage.

Check for fuel leakage while refueling and during operation. If fuel or oil leakage is found, do not start or run the engine until leak is fixed and spilled fuel has been wiped away. Clothing with fuel on it has to be changed immediately (this is a danger to your life!). Avoid skin contact with fuel. Never loosen or remove the cap of the fuel tank while the engine is running.

Starting

Do not drop start. This method is very dangerous because you may lose control of the saw (fig. 6).



Place the chain saw on firm ground or other solid surface in an open area. Maintain a good balance and secure footing. Place your right foot through the rear handle opening and firmly grasp the front handle with your left hand (fig. 6a).

Be absolutely sure that guide bar and chain are clear of you or all other obstructions and objects, including the ground, because when the engine starts in semi-throttle position, engine speed will be fast enough for the clutch to engage the sprocket and turn the chain which may cause a kickback.

Never attempt to start the saw when the guide bar is in a cut or kerf.

When you pull the starter grip, don't wrap the starter rope around your hands. Do not allow the grip to snap back, but guide the starter rope slowly back to permit the rope to rewind properly. Failure to follow this procedure may result in injury to hand or fingers and may damage the starter mechanism.

Important adjustments

WARNING!

At correct idle speed, chain should not turn. For directions to adjust idle speed, see the appropriate section of this instruction manual.

Do not use a saw with incorrect idle speed adjustment. Adjust the idle speed yourself according to the appropriate section of this manual.

Have your MAKITA dealer check your saw and make proper adjustments or repairs.

Check the saw chain tension frequently, especially just after installing a new chain. New chains may stretch more during their initial use. A properly adjusted saw chain can be pulled freely around the guide bar by hand without sagging. Always stop the engine and wear gloves when checking or adjusting the chain tension.

Working conditions

Operate your chain saw only outdoors. Operate the saw under good visibility and daylight conditions only.

WARNING!

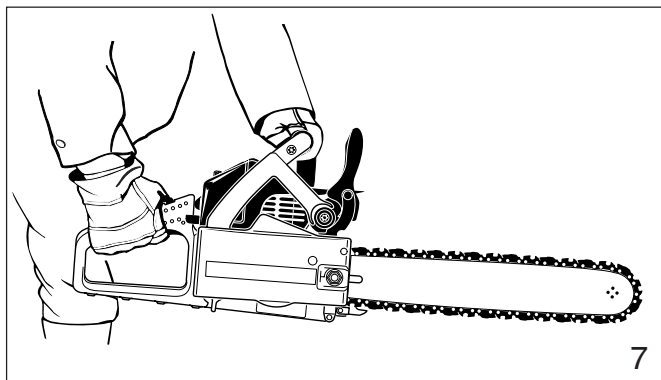
Take extreme care in wet and freezing weather (rain, snow, ice). Put off the work when the weather is windy, stormy or rainfall is heavy. Clear the area where you are working.

WARNING!

Avoid stumbling on obstacles such as stumps, roots or rocks and watch out for holes or ditches. Be extremely cautious when working on slopes or uneven ground. There is increased danger of slipping on freshly debarked logs.

Cutting instructions

Always hold the saw firmly with both hands when the engine is running. Place your left hand on the tubular handle and your right hand on grip and throttle lever. Left-handers should follow these instructions too.

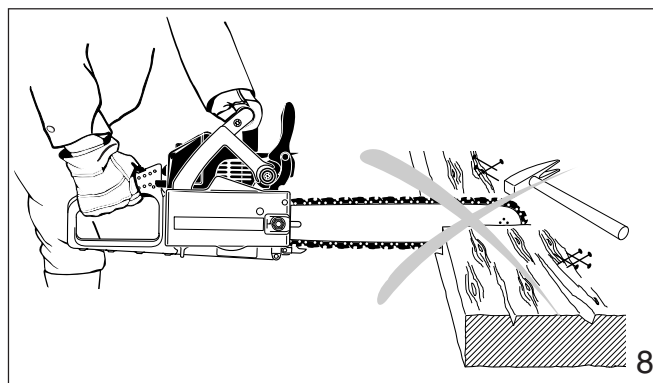


Wrap your fingers tightly around the handles, keeping the handles cradled between your thumb and forefinger (fig. 7). With your hands in this position, you can best oppose and absorb the push, pull and kickback forces of your saw without having it slip out of your grip (see section of reactive forces). Make sure your chain saw handle and grip are in good condition and free of moisture, pitch, oil or grease.

Always start a cut with the chain running at full speed and the spike bar in contact with the wood.

WARNING!

Never use the saw with one hand. You cannot control reactive forces (see pages 9 to 11) and may lose control of the saw.



WARNING!

Do not operate your chain saw in semi-throttle position. Cutting in this position does not permit the operator proper control of the saw or chain speed.

WARNING!

Never come too close to a rotating chain with your hands or body.

WARNING!

Do not cut any material other than wood or wooden objects.

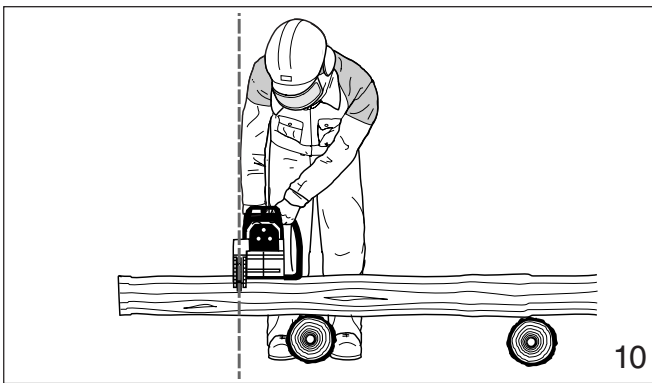
Use your chain saw for cutting only. It is not designed for prying or shoveling away limbs, roots or other objects.

When sawing, make sure that the saw chain does not touch any foreign materials such as rocks, nails and the like (fig. 8). Such objects may be flung off, damage the saw chain or cause the saw to kick back.



9

In order to keep control of your saw, always maintain a firm foothold. Never work on a ladder, in a tree or on any other insecure support. Never use the saw above shoulder height (fig. 9).



10

Position the chain saw in such a way that your body is clear of the cutting attachment whenever the engine is running (fig. 10).

Don't put pressure on the saw when reaching the end of a cut. The pressure may cause the bar and rotating chain to pop out of the cut or kerf, go out of control and strike the operator or some other object. If the rotating chain strikes some other object a reactive force (see pages 10 to 12) may cause the chain to strike the operator.

Reactive forces during the cut, including kickback

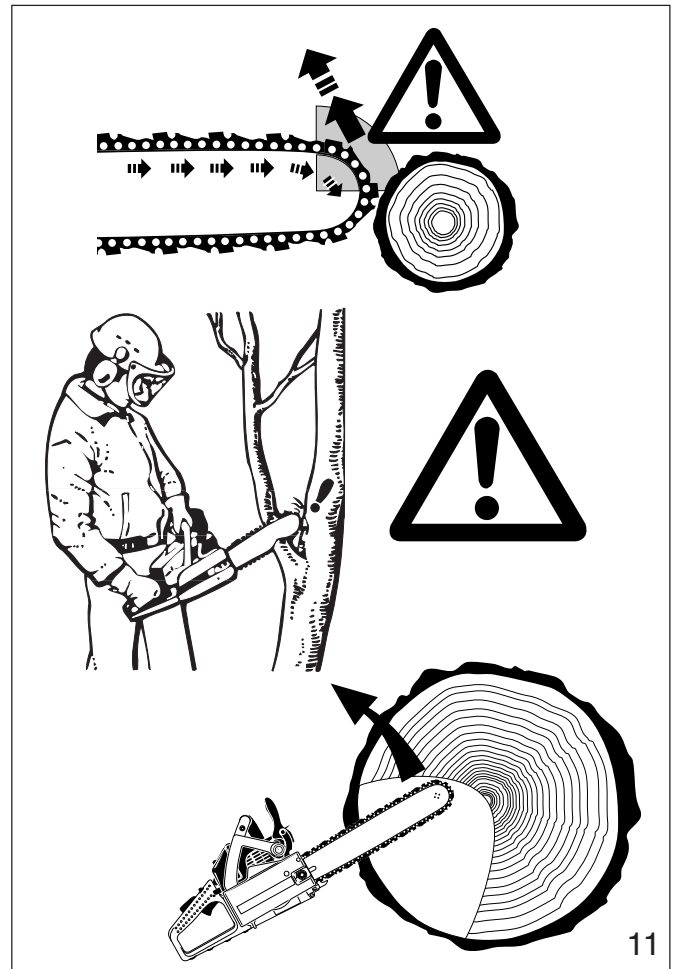
WARNING!

Reactive forces, that may occur during any cut are kickback, pushback and pull-in. Reactive forces can be dangerous! In any chain saw, the powerful force used to cut wood can be reversed (and work against the operator).

If the rotating chain is suddenly stopped by contact with any solid object like a log or branch or is pinched, the reactive forces instantly occur. These reactive forces may result in loss of control which may, in turn, cause serious or fatal injury. An understanding of the causes of these reactive forces may help you avoid loss of control.

The most common reactive forces are

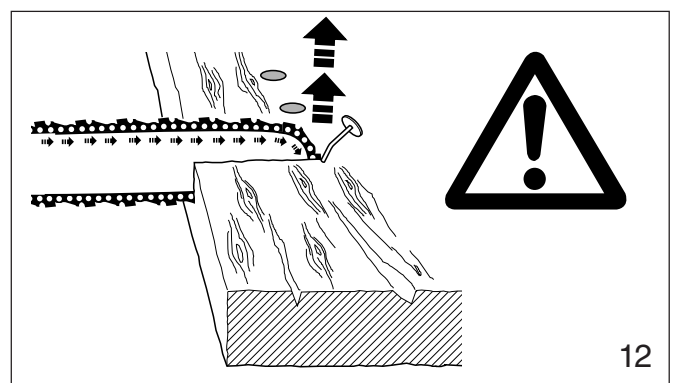
- kickback,
- pushback,
- pull-in.



11

Kickback:

Kickback occurs when the upper quadrant of the bar nose contacts a solid object in the wood or is pinched (fig. 11). The reaction of the cutting force of the chain causes a rotational force of the chain saw in the direction opposite to the chain movement, mainly in the plane of the bar. This may fling the bar in an uncontrolled arc towards the operator.



12

This reaction can occur in a fraction of a second and under some circumstances, cause the guide bar and chain to strike the operator with enough force to cause severe or fatal injury. It may also occur during limbing. It also occurs when the nose of the guide bar is pinched unexpectedly, unintentionally contacts solid material in the wood (fig.12) or is incorrectly used to begin a plunge or boring cut.

The greater the force of the kickback reaction, the more difficult it becomes for the operator to control the saw.

Many factors influence the occurrence and force of the kickback reaction. The type of bar and saw chain you use is a factor in the force of the kickback reaction.

The speed of contact at which the cutter contacts the object.

Kickback force increases with the rate of impact.

The contact angle between the nose of the bar and the foreign object (fig. 11).

Kickback is most pronounced in the upper quadrant of the bar nose.

MAKITA chain types are designed to reduce kickback forces.

The depth gauges:

Improper lowering of the depth gauges also increases the risk of a kickback.

Saw chain cutter sharpness:

WARNING!

A dull improperly sharpened chain may increase the risk of kickback. Always cut with a properly sharpened chain.

Devices for reducing the risk of kickback injury

MAKITA have developed a special chain brake to reduce the risk of kickbacks.

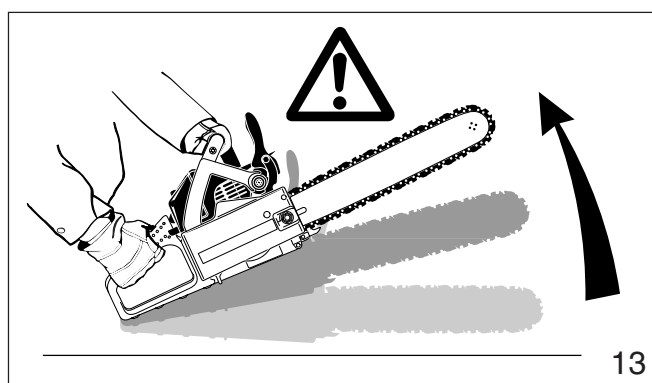
This chain brake increases the safety factor on the job, e.g. when the saw suddenly bucks upwards the chain stops rotating within a fraction of a second. A deflection guard on the disengaging lever of the chain brake and a scoop rear handle ensure that the operator's hands are fully protected at all times.

Kickback tendency increases as the radius or size of the guide bar nose increases. MAKITA have developed guide bars with small nose radius, to reduce the kickback tendency.

WARNING!

No chain brake prevents kickback. These brakes are designed only to stop the chain, if activated.

To ensure a proper operation of the chain brake, it must be properly maintained. Furthermore, there must be a sufficient distance between the operator and the bar to ensure that the chain brake has sufficient time to activate and stop the chain before potential contact with the operator.



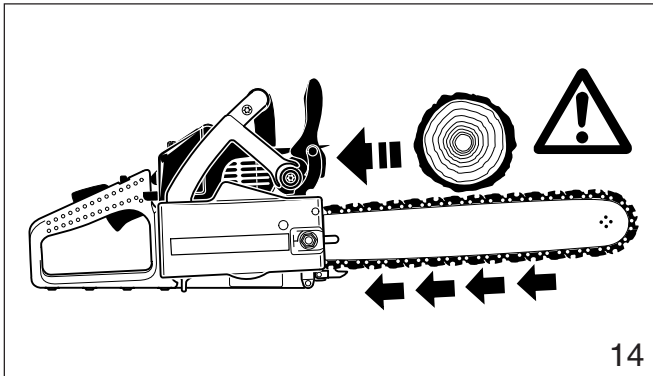
To avoid kickback

The best protection from personal-injury that may result from kickback is to avoid kickback situations:

1. Hold the chain saw firmly with both hands and maintain a secure grip.
2. Be aware of the location of the guide bar nose at all times.
3. Never bring the nose of the guide bar in contact with any object. Do not cut limbs with the nose of the guide bar. Be especially careful with small, tough limbs, small size brush and saplings which may easily catch the chain.
4. Don't overreach.
5. Don't cut above shoulder height.
6. Begin cutting and continue at full throttle.
7. Cut only one log at a time.
8. Use extreme caution when re-entering a previous cut.
9. Do not attempt plunge cuts (see page 13) if you are not experienced with these cutting techniques.
10. Be alert for shifting of the log or other forces that may cause the cut to close and pinch the chain.
11. Maintain saw chain properly. Cut with a correctly sharpened, properly tensioned chain at all times.
12. Stand to the side of the cutting path of the chain saw.

Pushback:

Pushback occurs when the chain on the top of the bar is suddenly stopped when it is pinched, caught or encounters a foreign object in the wood. The reaction of the chain drives the saw straight back toward the operator causing loss of saw control. Pushback frequently occurs when the top of the bar is used for cutting (fig. 14).



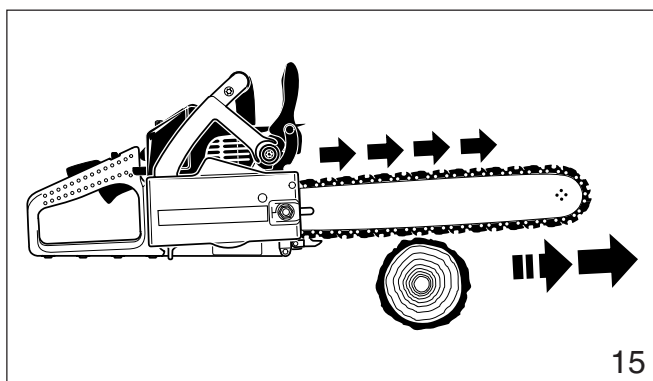
To avoid pushback

1. Be alert to forces or situations that may cause material to pinch the top of the chain.
2. Do not cut more than one log at a time.
3. Do not twist the saw when withdrawing the bar from a plunge cut or under buck cut (figures 25 to 27 and 33, pages 13 and 14), because the chain can pinch.

Pull-in:

Pull-in occurs when the chain on the bottom of the bar is suddenly stopped. The chain on the bottom of the bar stops when it is pinched, caught or encounters a foreign object in the wood (see fig. 15). The reaction of the chain pulls the saw forward, causing the operator to lose control.

Pull-in frequently occurs when the spike bar of the saw is not held securely against the tree or limb and when the chain is not rotating at full speed before it contacts the wood.



WARNING!

Use extreme caution when cutting small size brush and saplings which may easily catch the chain and pull you off balance.

To avoid pull-in

1. Always start a cut with the chain rotating at full speed and the spike bar in contact with the wood.
2. Pull-in may also be prevented by using plastic wedges to open the kerf or cut.

Cutting techniques

Felling

Felling is cutting down a tree.

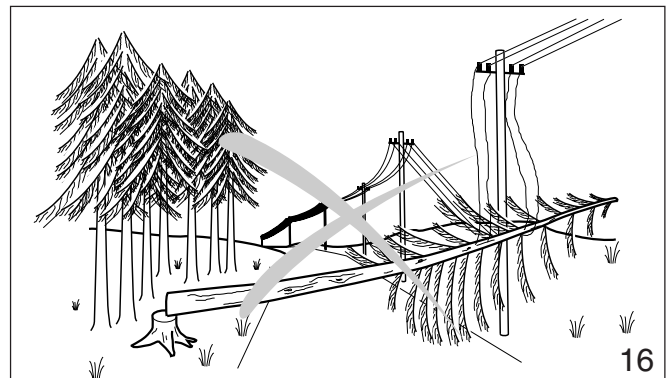
Before felling a tree, consider carefully all conditions which may affect the direction of fall, including:

- The intended direction of the fall.
- The neutral lean of the tree.
- Any unusually heavy limb structure.
- Surrounding trees and obstacles.
- The wind direction and speed.

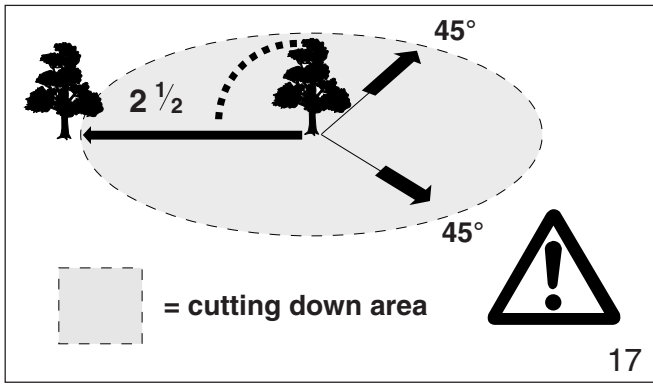
WARNING!

Always observe the general condition of the tree. Look for decay and rot in the trunk. If it is rotted inside, it could snap and fall toward the operator while being cut.

Also look for broken or dead branches which could vibrate loose and fall on the operator. When felling on a slope, the operator should stand on the up-hill side.



When felling in the vicinity of roads, railways and power lines, etc., take extra precautions (see fig. 16). Inform the police, utility company or railway authority before beginning to cut.

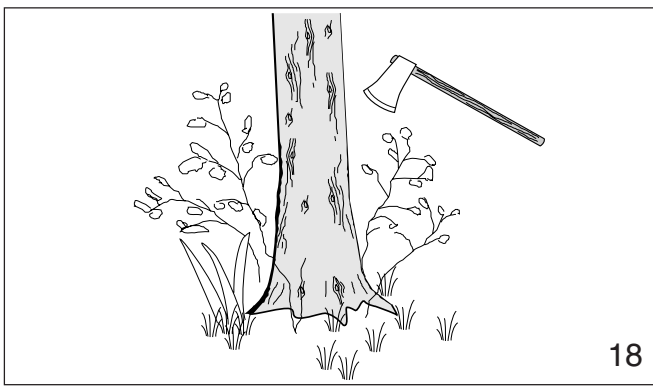


When felling, maintain a distance of at least 2 1/2 tree lengths from the nearest person (see fig. 17).

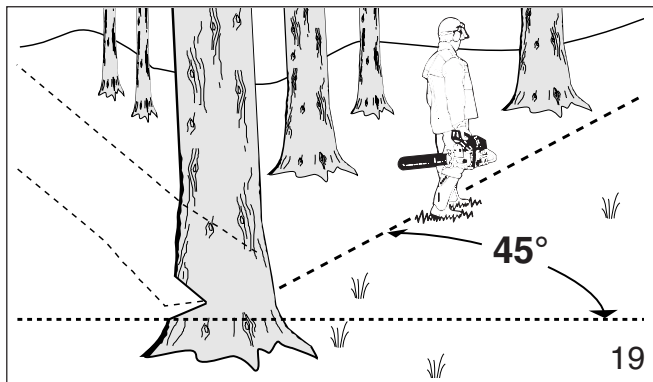
Note:

The noise of your engine may drown any warning call.

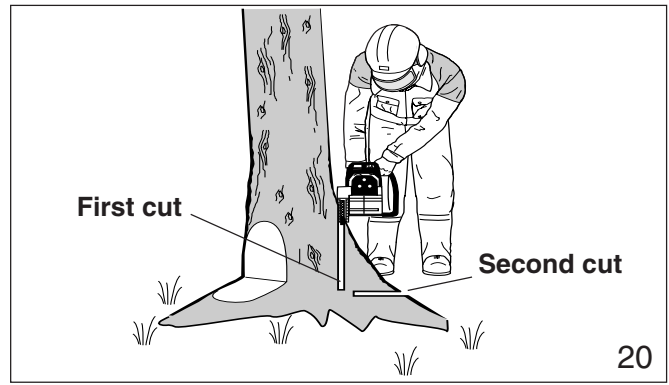
Felling instructions:



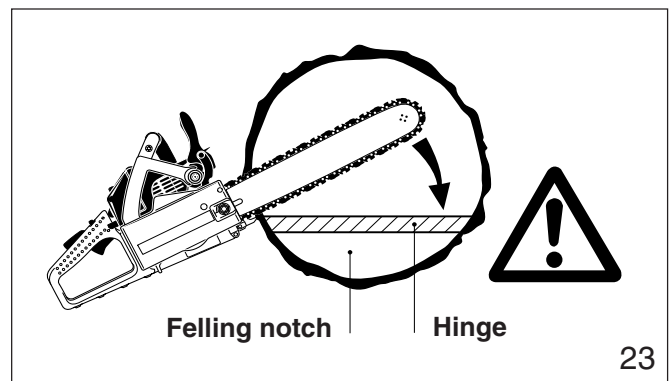
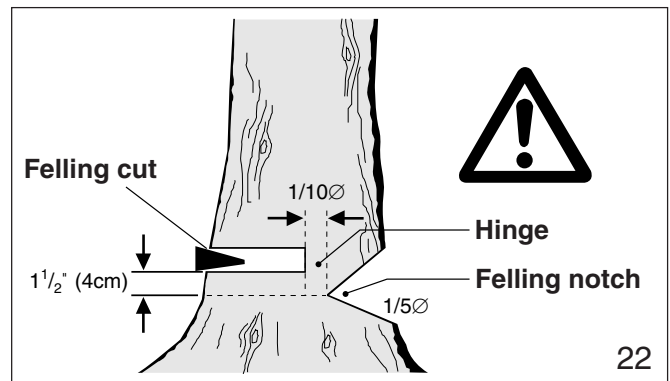
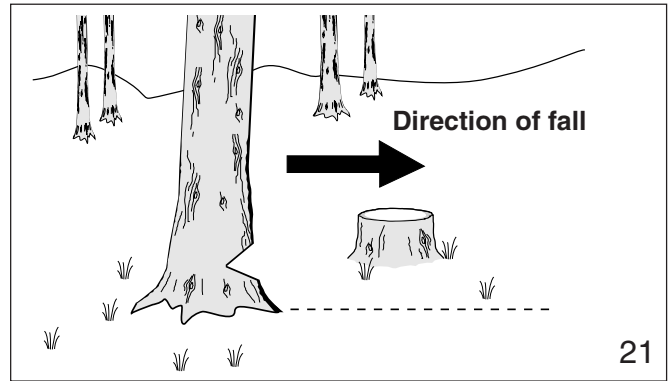
First clear the tree base and work area from interfering limbs and brush and clean its lower portion with an axe (see fig. 18).



Then, establish a path of escape and remove all obstacles. This path should be opposite to the planned direction of the fall of the tree and at a 45° angle (fig. 19). An alternate path must also be selected. Place all tools and equipment a safe distance away from the tree, but not on the escape path.



If the tree has large buttress roots, cut into the largest buttresses vertically first (horizontally next) and remove (fig. 20).



Then, determine the placement of the felling notch (fig. 21). The felling notch when properly placed determines the direction in which the tree will fall. It is made perpendicular to the line of fall and should be as close to the ground as possible. Cut the felling notch to a depth of about one-fifth to one-fourth of the trunk diameter (fig. 22). It should be in no case higher than it is deep. Make the felling notch very carefully.

Begin the felling cut slightly higher than the felling notch and on the opposite side of the tree (fig. 22). Then cut horizontally through towards the felling notch. Apply the chain saw with its spikes directly behind the uncut portion of wood and cut toward the notch (fig. 23). Leave approximately 1/10 of the tree diameter uncut! This is the hinge (fig. 23). Do not cut through the hinge because you could lose control of the direction of the fall. Drive wedges into the felling cut where necessary to control the direction of the fall. Wedges should be of wood, light alloy or plastic - never of steel, which can cause kickback and damage to the chain.

Always keep to the side of the falling tree. When the tree starts to fall, shut off the engine, withdraw the bar and walk away on the pre-planned escape path. Watch out for falling limbs.

WARNING!

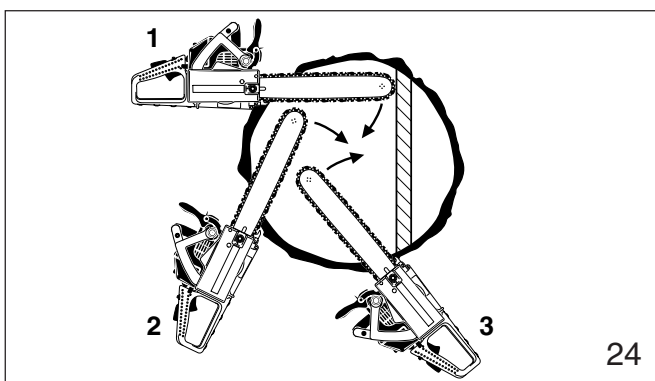
Be extremely careful with partially fallen trees which are poorly supported.

When the tree hangs or for some other reason does not fall completely, set the saw aside and pull the tree down with a cable winch, block and tackle or tractor. If you try to cut it down with your saw, you may be injured.

Sectioning Method

WARNING!

Felling a tree that has a diameter greater than the length of the guide bar requires use of either the sectioning or plunge-cut method. These methods are extremely dangerous because they involve the use of the nose of the guide bar and can result in kickback. Only properly trained professionals should attempt these techniques.



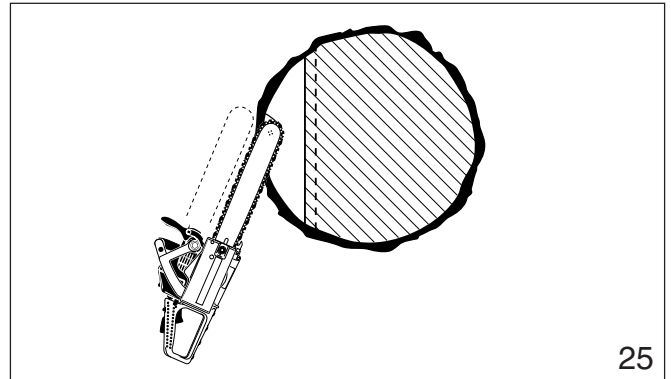
For the sectioning method (fig. 24) make the first cut with the guide bar fanning in toward the hinge. Then, using the bumper spike as a pivot, reposition the saw for the next cut. Avoid repositioning the saw more than necessary. When repositioning for the next cut, keep the guide bar fully engaged in the kerf to keep the felling cut straight. If the saw begins to pinch, insert a wedge to open the cut. On the last cut, do not cut the hinge.

Plunge-Cut Method

Timber having a diameter more than twice the length of the guide bar requires the use of the plunge-cut method before making the felling cut.

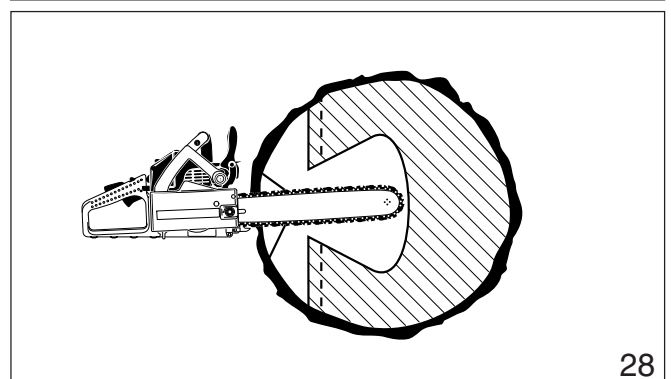
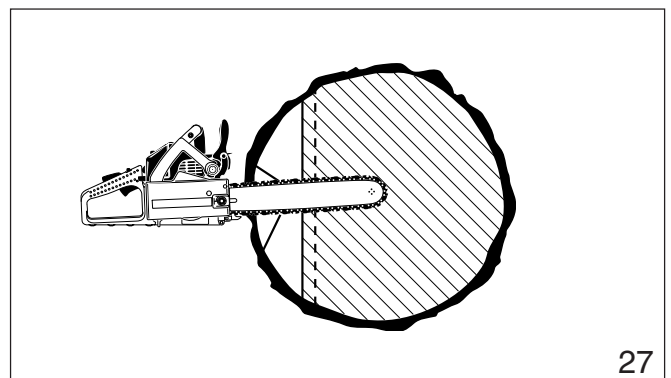
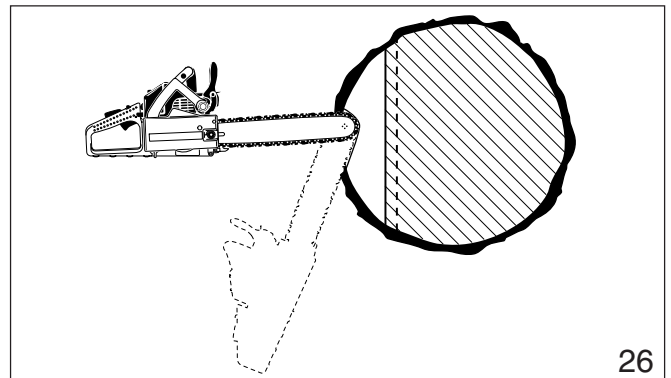
First, cut a large, wide notch. Make a plunge cut in the center of the notch.

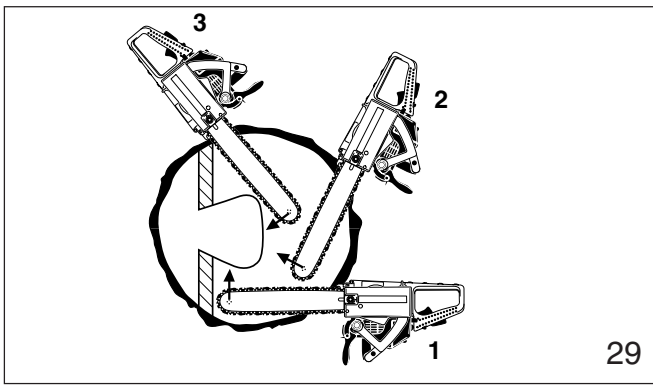
The plunge cut is made with the guide bar nose. Begin the plunge cut by applying the lower portion of the guide bar nose to the tree at an angle (fig. 25). Cut until depth of the kerf is about the same as the width of the guide bar (fig. 26). Next, align the saw in the direction



in which the recess is to be cut. With the saw at full throttle, insert the guide bar in the trunk (fig. 27).

Enlarge the plunge cut as shown in illustration (fig. 28)





29

WARNING!

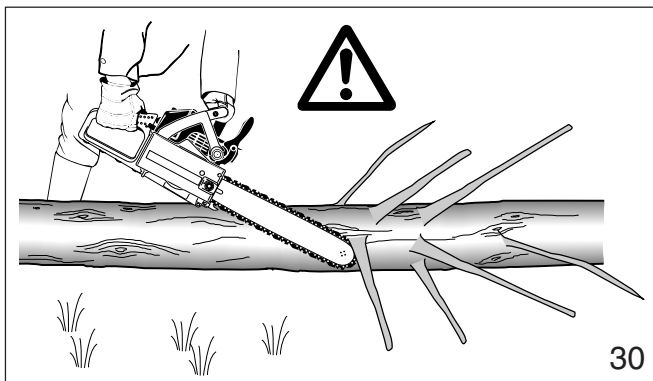
There is an extreme danger of kickback at this point. Extra caution must be taken to maintain control of the saw. To make the felling cut, follow the sectioning method described previously (fig. 29). If you are inexperienced with a chain saw plunge-cutting should not be attempted. Seek the help of a professional.

Limbing

Limbing is removing the branches from a fallen tree.

WARNING!

There is an extreme danger of kickback during the limbing operation. Do not work with the nose of the bar. Be extremely cautious and avoid contacting the log or other limbs with the nose of the guide bar. Do not stand on a log while limbing it - you may slip or the log may roll.



30

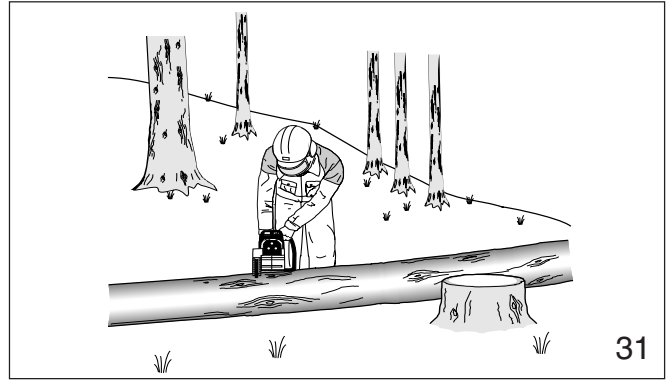
Start limbing by leaving the lower limbs to support the log off the ground (fig. 30). Always cut from the top of the limb. Do not underbuck freely hanging limbs. A pinch may result or the limb may fall, causing loss of control. If a pinch occurs, stop the engine and remove the saw, by lifting the limb.

WARNING!

Be extremely cautious when cutting limbs under tension. The limbs could spring back toward the operator and cause loss of control of the saw or injury to the operator.

Bucking

Bucking is cutting a log into sections.



31

WARNING!

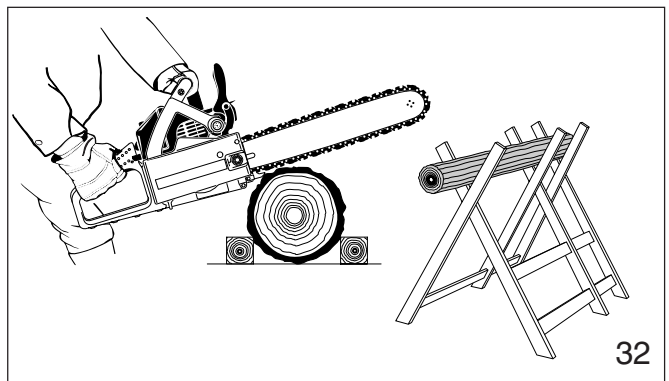
1. When bucking, do not stand on the log. Make sure the log will not roll down-hill. If on a slope, stand on the up-hill side of the log (see fig. 31). Watch out for rolling logs.

WARNING!

2. Cut only one log at a time.

WARNING!

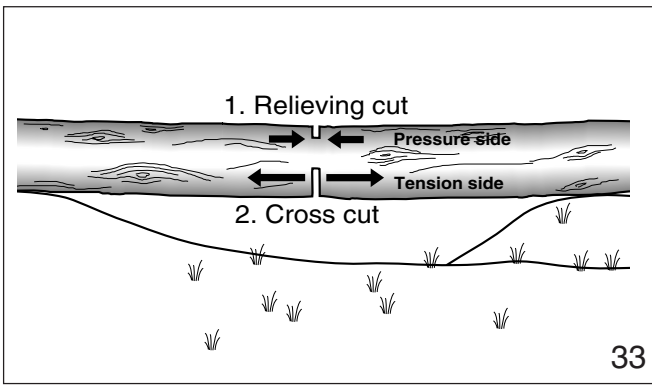
3. Shattered wood should be cut very carefully. Sharp splinters of wood may be caught and flung in the direction of the operator of the saw.



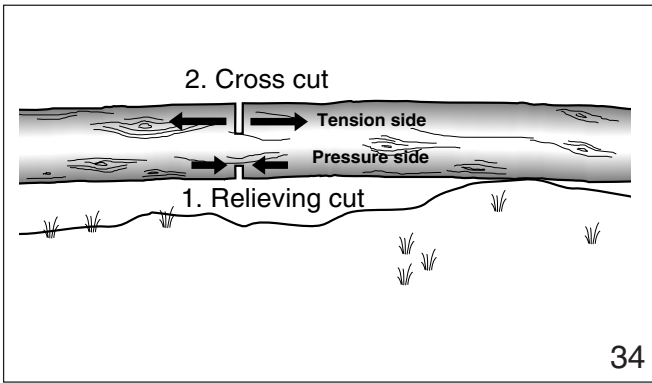
32

WARNING!

4. When cutting small logs, use a sawhorse (fig. 32). Never permit another person to hold the log. Never hold the log with your leg or foot.



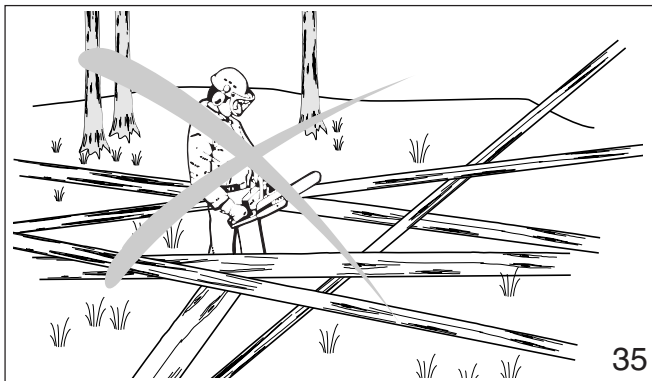
33



34

WARNING!

5. Logs under strain require special attention to prevent the saw from pinching. The first cut is made on the compression side to relieve the stress on the log (see fig. 33, 34). The bucking cut is then made as shown. If the saw pinches, stop the engine and remove it from the log.



35

WARNING!

6. Only properly trained professionals should work in an area where the logs, limbs and roots are tangled (i. e. a blowdown area, fig. 35). Working in blowdown areas is extremely hazardous.

WARNING!

7. Drag the logs into a clear area before cutting. Pull out exposed and cleared logs first.

Maintenance and Repair

Never operate a chain saw that is damaged, improperly adjusted or not completely or securely assembled. Follow the maintenance and repair instructions in the appropriate section of this manual.

WARNING !

Always stop the engine and make sure that the chain is stopped before commencing any maintenance or repair work or cleaning the saw. Do not attempt any maintenance or repair work not described in this manual. Have such work performed by your MAKITA service shop only.

Maintaining and storing the saw

Keep the chain, bar and sprocket clean and lubricated; replace worn sprockets or chains.

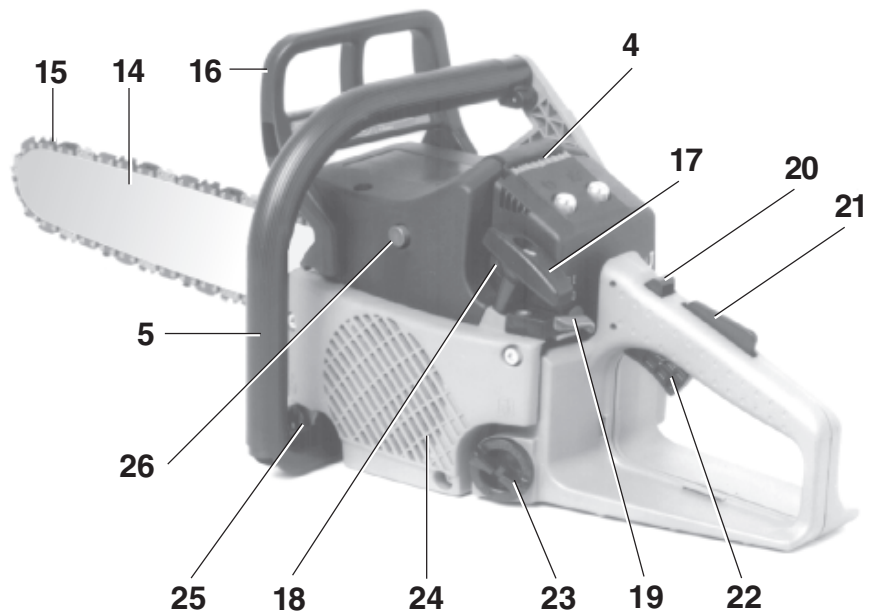
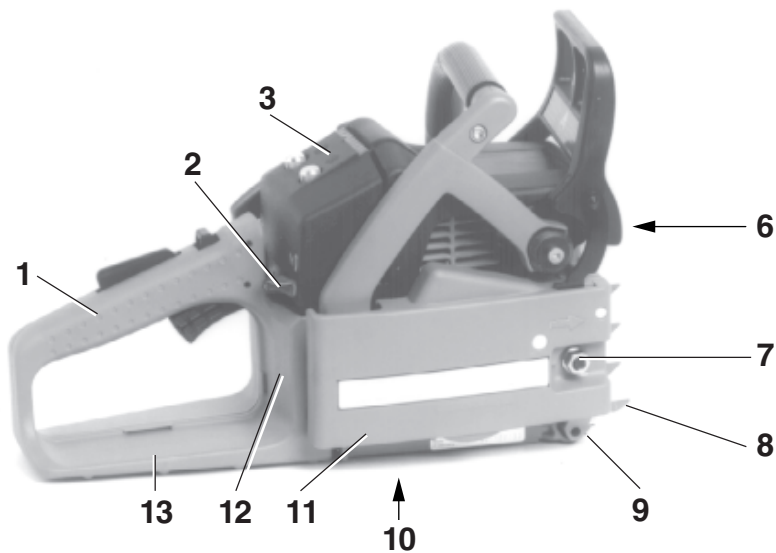
Keep the chain sharp. You can spot a dull chain when easy-to-cut wood becomes hard to cut and burn marks appear on the wood.

Keep the chain at proper tension. Tighten all nuts, bolts and screws except the carburetor adjustment screws after each use.

Keep spark plug and wire connection tight and clean.

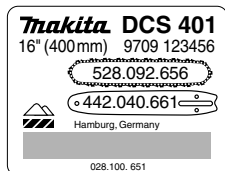
Store saws in a high or locked place, away from children.

Denomination of components



Identification plate

(example for type DCS 401)



Model

Serial no.

Indicate when ordering spare parts!

- | | |
|---|--|
| 1 Tubular handle | 14 Guide bar |
| 2 Choke | 15 Chain |
| 3 Filter cover | 16 Hand guard (release for chain brake) |
| 4 Insert for normal / winter operation | 17 Starter grip |
| 5 Tubular handle | 18 Adjusting screws "speed-H-L" for carburetor |
| 6 Muffler | 19 I/STOP-switch |
| 7 Retaining nut | 20 Stop knob for halfway throttle |
| 8 Spike bar
(toothed stop for holding saw steady against wood) | 21 Safety locking button |
| 9 Chain catch | 22 Throttle lever |
| 10 Automatic oil pump (bottom side) | 23 Fuel tank plug |
| 11 Sprocket guard | 24 Fan housing with starting assembly |
| 12 Identification plate | 25 Oil tank plug |
| 13 Hand guard | 26 Starting valve (only DCS-341 and DCS-401) |

Technical data	DCS 340	DCS 341	DCS 400	DCS 401
Single-cylinder two-stroke				
Piston displacement	2.0 cu. in (33 cm ³)	2.0 cu. in (33 cm ³)	2.4 cu. in (39 cm ³)	2.4 cu. in (39 cm ³)
Cylinder bore	1.45" (37 mm)	1.45" (37 mm)	1.57" (40 mm)	1.57" (40 mm)
Piston stroke	1.22" (31 mm)	1.22" (31 mm)	1.22" (31 mm)	1.22" (31 mm)
Max. power at speed	1.4/9,000 kW/rpm	1.4/9,000 kW/rpm	1.7/9,000 kW/rpm	1.7/9,000 kW/rpm
Max. torque at speed	1.7/6,500 Nm/rpm	1.7/6,500 Nm/rpm	2.0/6,500 Nm/rpm	2.0/6,500 Nm/rpm
Idling speed	2,600 rpm	2,600 rpm	2,600 rpm	2,600 rpm
Ignition system				
Electronic, without breaker				
Spark plug	NGK BPMR 6F	NGK BPMR 6F	NGK BPMR 6F	NGK BPMR 6F
or Spark plug	CHAMPION RDJ-7Y	CHAMPION RDJ-7Y	CHAMPION RDJ-7Y	CHAMPION RDJ-7Y
Electrode gap	.020" (0.5 mm)	.020" (0.5 mm)	.020" (0.5 mm)	.020" (0.5 mm)
Fuel system				
Carburetor (for Canada)	WALBRO WT 174	WALBRO WT 174	WALBRO WT 174	WALBRO WT 174
Carburetor (for USA)	WALBRO WT 466	WALBRO WT 466	WALBRO WT 466	WALBRO WT 466
(all position diaphragm carburetor with integral fuel pump)				
Air filter	Robkoflok	Robkoflok	Robkoflok	Robkoflok
Fuel tank capacity	13.3 oz. (0.4 l)	13.3 oz. (0.4 l)	13.3 oz. (0.4 l)	13.3 oz. (0.4 l)
Fuel mixture	see chapter "Fuel"	see chapter "Fuel"	see chapter "Fuel"	see chapter "Fuel"
Weight				
without cutting attachment	8 lbs. 9 oz. (3.9 kg)	8 lbs. 9 oz. (3.9 kg)	8 lbs. 13 oz. (4.0 kg)	8 lbs. 13 oz. (4.0 kg)
Cutting attachment				
Guide bar	sprocket nose bar	sprocket nose bar	sprocket nose bar	sprocket nose bar
Cutting length	12" (30 cm) 14" (35 cm) 16" (40 cm)	12" (30 cm) 14" (35 cm) 16" (40 cm)	12" (30 cm) 14" (35 cm) 16" (40 cm)	12" (30 cm) 14" (35 cm) 16" (40 cm)
Safety saw chain (pitch) 3/8"	(528 092 ...)	(528 092 ...)	(528 092 ...)	(528 092 ...)
Drive link gauge .050"	X	X	X	X
Chain sprocket 6 teeth	(028 223 310)	(028 223 310)	(028 223 310)	(028 223 310)
Chain lubrication	fully automatic oil pump	fully automatic oil pump	fully automatic oil pump	fully automatic oil pump
Oil tank capacity	7.1 oz. (0.21 l)	7.1 oz. (0.21 l)	7.1 oz. (0.21 l)	7.1 oz. (0.21 l)

Approved bar and chain combinations

"Low-kickback saw chain is a chain which has met the kickback performance requirements of ANSI B 175.1-1991 (American National Standard for Power Tools-Gasoline-Powered Chain Saws-Safety Requirements) when tested on the representative sample of chain saws below 3.8. C.I.D. specified in ANSI B 175.1-1991". The approved bar and chain combinations are low kickback chains according to ANSI B 175.1-1991 and also meet the kickback requirements of CSA Z62.3-96 for chain saws below 80 cm³.

The chain saw DCS 340, DCS 341, DCS 400, DCS 401 has been approved with following guide bar and chain combinations:

	Guide bar 3/8"	Saw chain 3/8"
length	Part no.	Part no.
12" (30 cm)	442 030 661	528 092 646
14" (35 cm)	442 035 661	528 092 652
16" (40 cm)	442 040 661	528 092 656

"There may be other replacement bar and chain combinations available that also reduces the risk of injury from kickback".

WARNING

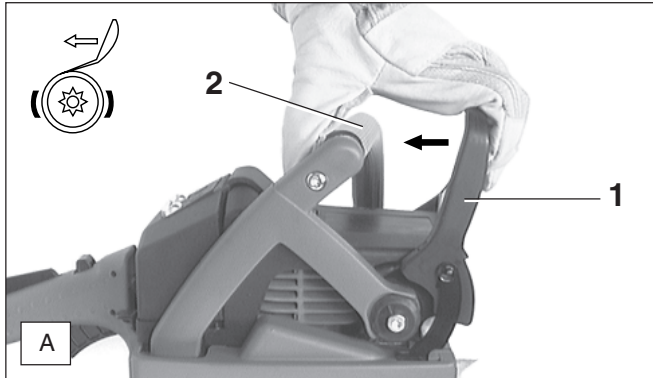
Do not use other replacement bars and chains unless they have been designated as meeting the ANSI B 175.1-1991 (for USA) and CSA Z62.3-96 (for Canada) kickback performance requirements on that specific powerhead, or has been designated as "low kickback" saw chain in accordance with the ANSI B 175.1-1991 (for USA) and CSA Z62.3-96 (for Canada) standard.

PUTTING INTO OPERATION

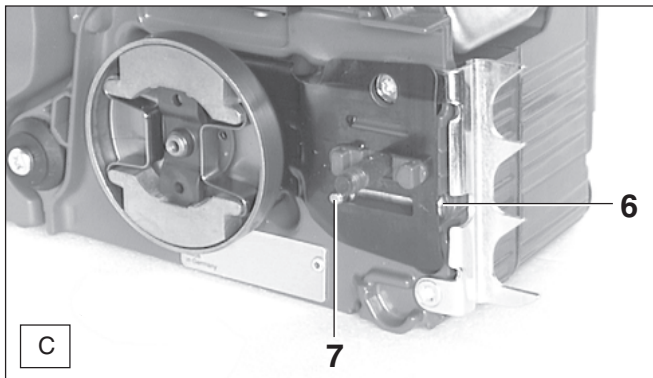
Mounting the guide bar and saw chain

Use the universal wrench delivered with the chain saw for the following work.

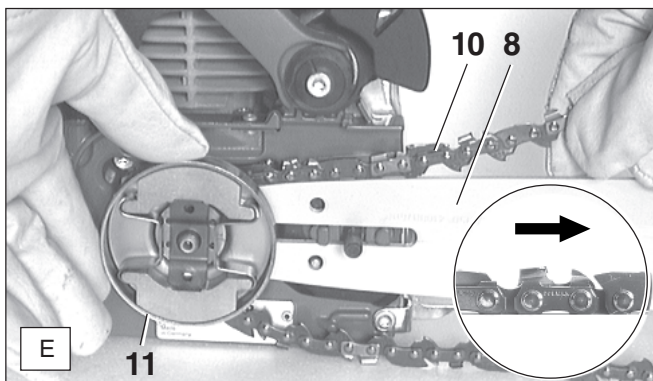
Put the chain saw on a stable surface and carry out the following steps for mounting the guide bar and chain:



- Release the chain brake by pulling the hand guard (A/1) towards the tubular handle (A/2) until you feel it catch.



- Turn the chain adjusting screw (C/6) to the left (counter-clockwise) until the pin (C/7) is at the left stop.



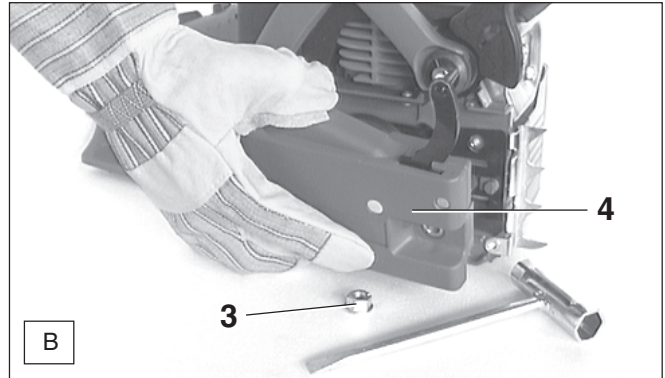
- Lift the chain (E/10) over the clutch drum and onto the sprocket (E/11). Using your right hand, guide the chain into the top guide groove on the guide bar (E/8).

NOTE: The cutting edges along the top of the chain must point in the direction of the arrow!

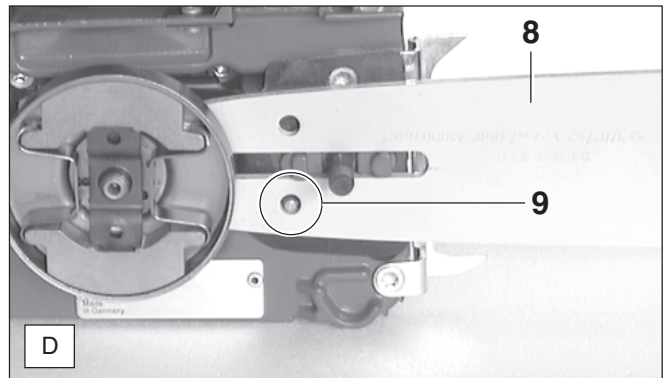


CAUTION: Before doing any work on the guide bar or chain, always switch off the engine and pull the plug cap off the spark plug (see "Replacing the spark plug"). Always wear protective gloves!

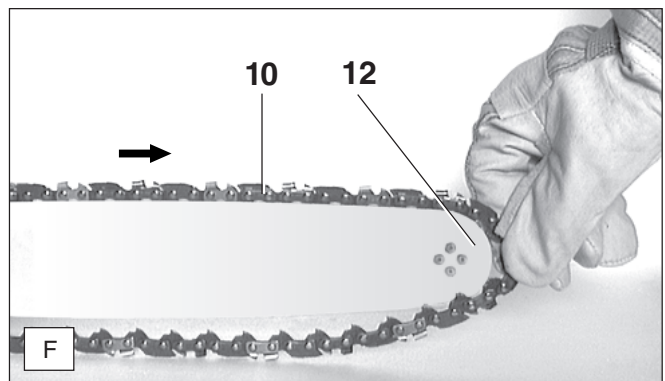
CAUTION: Start the chain saw only after having assembled it completely and inspected!



- Unscrew retaining nut (B/3).
- Pull off the sprocket guard (B/4).

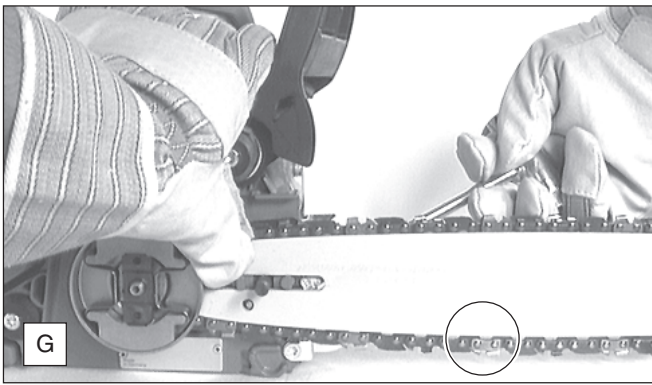


- Position the guide bar (D/8). Make sure that the pin (D/9) of the chain tightener is in the hole (circled) on the guide bar.

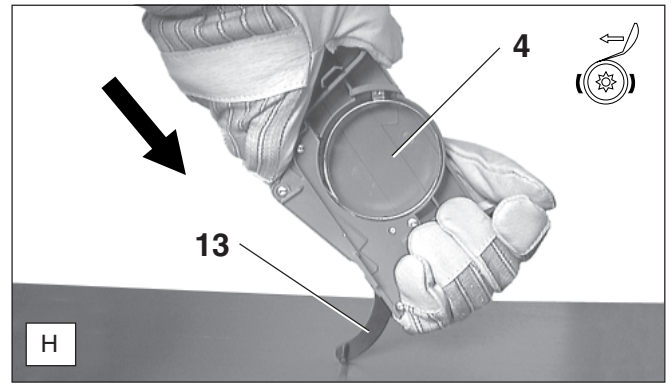


- Lead the chain (F/10) around the sprocket nose (F/12) of the guide bar.

NOTE: The chain should be easy to pull in the direction of the arrow. The clutch drum (E/11) should turn with the chain (the sprocket engages the chain).



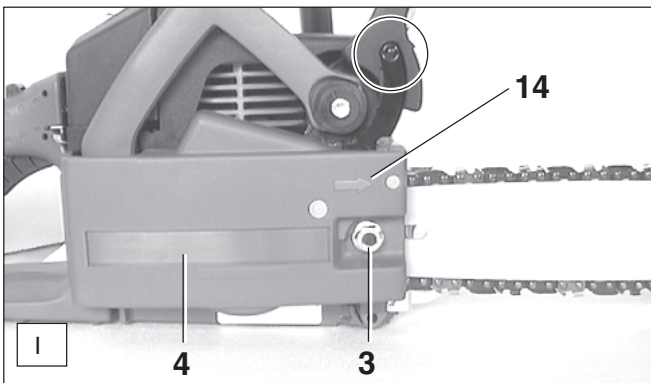
- Turn the chain tightener (C/6) to the right (clockwise) until the chain engages the guide groove of the bottom side of the bar (see circle). Press the guide bar against the housing with your left hand.



NOTE:

If the chain brake on the dismantled sprocket guard is actuated by accident, it must be released again prior to reassembly:

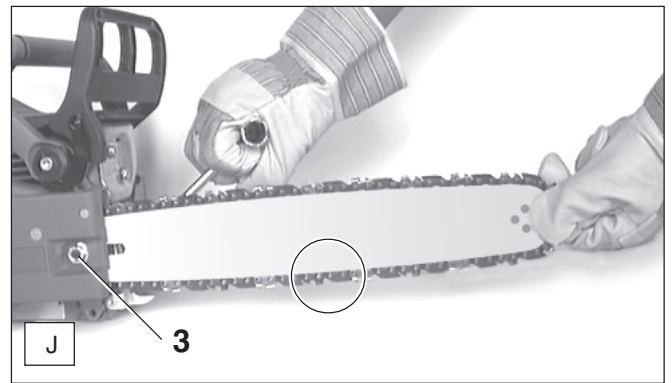
- Hold the sprocket guard (H/4) as shown (note direction of arrow) firmly with both hands and press the stop lever (H/13) against a hard surface (such as a board) until you hear it catch.



- Replace the sprocket guard (I/4), making sure that the pin on the stop lever fits into the space on the hand guard (circled).
- Manually tighten the retaining nut (I/3).

NOTE:

The arrow (I/14) on the sprocket guard shows the direction of chain travel.



Tightening the saw chain

- Slightly lift the end of the guide bar and turn the chain adjusting screw (C/6) to the right (clockwise) until the chain rests against the bottom side of the guide bar.
- While still holding up the guide bar, tighten the retaining nut (J/3) with the universal wrench.

Checking the chain tension

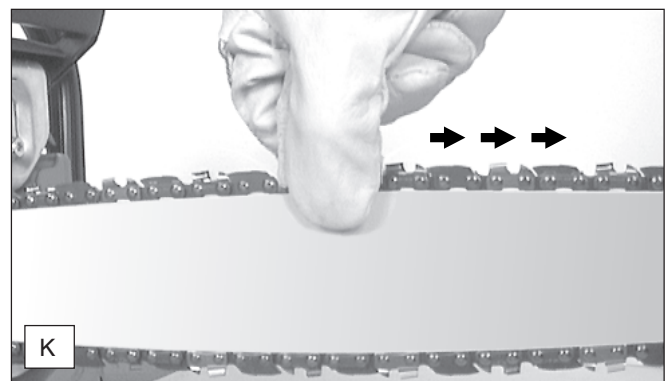


- The tension of the chain is correct if the chain rests against the bottom side of the guide bar and can still be easily turned by hand. While doing so the chain brake must be released.
- Every new chain must be broken in for about 2 to 3 minutes. Ample chain lubrication is essential during this period. After breaking in, check chain tension and adjust, if necessary.
- When checking the chain tension the engine must be switched off.

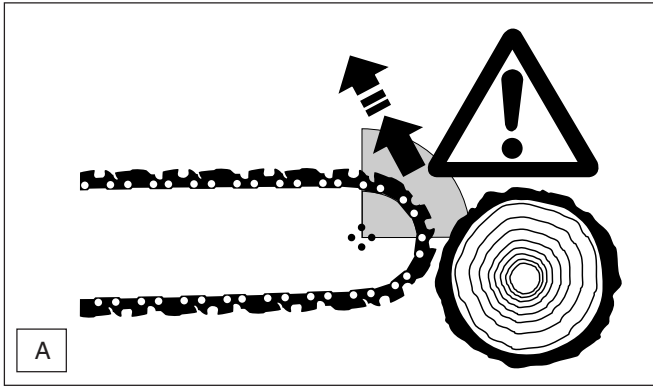
NOTE:

Check the chain tension frequently - chains tend to get longer during use! If this is not done, there is a risk of the chain jumping off the bar. It is recommended to use 2-3 chains alternatively.

In order to guarantee uniform wear of the guide bar the bar should be turned over whenever replacing the chain.

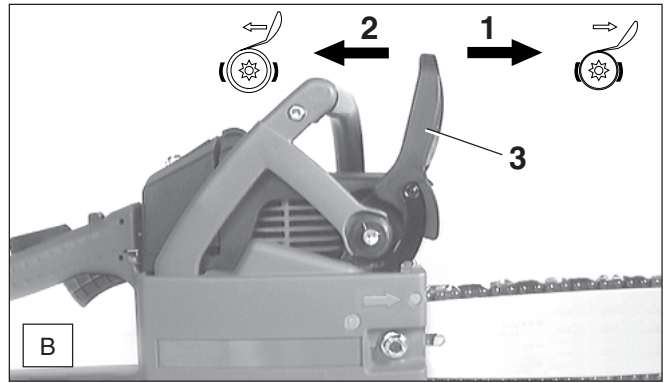


Safety chain brake



The models DCS 340/DCS 341/DCS 400 and DCS 401 comes with an inertia chain brake as standard equipment. The chain brake will automatically stop the chain if the kickback is sufficiently strong, which is caused by the tip contacting wood while the saw is running (see "SAFETY PRECAUTIONS", page 9). The chain will stop within a fraction of a second.

The chain brake is installed to block the saw chain before starting it and to stop it immediately in case of an emergency.



Engaging the chain brake (braking)

In case of kickback the chain brake is engaged **automatically** by inertial motion of the hand guard ((B/3).

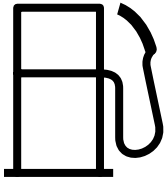
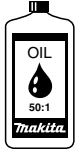
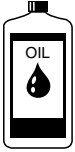
To engage the chain brake **manually**, simply push the hand guard (B/3) forward (towards the tip of the saw) with your left hand (arrow 1).

Releasing the chain brake

Pull the hand guard (B/3) towards you (arrow 2) until you feel it catch. The brake is now released.

Fuel / Refuelling



Gasoline	50:1 MAKITA oil	40:1 other oil
		
1.0 Us-gal. (3.7 l)	2.5 floz. (75 cm ³)	3.2 floz. (94 cm ³)
2.5 Us-gal. (9.4 l)	6.4 floz. (189 cm ³)	8.0 floz. (236 cm ³)
5.0 Us-gal. (18.9 l)	12.8 floz. (378 cm ³)	16.0 floz. (473 cm ³)

Fuel mixture

The engine of the chain saw is a high-efficiency two-stroke engine. It runs on a mixture of gasoline and two-stroke engine oil.

The engine is designed for unleaded regular gasoline with a min. octane value of 91 ROZ (research octane number). In case no such fuel is available, you can use fuel with a higher octane value. This will not affect the engine.

In order to obtain an optimum engine output and to protect your health and the environment use unleaded fuel only. Gasoline which contains alcohol should not be used in MAKITA products.

For lubricating the engine use a two-stroke engine oil (quality grade: TC-3), which is added to the fuel. The engine has been designed for use of MAKITA high-performance two-stroke engine oil and a mixture ratio of only 50:1 to protect the environment. In addition, a long service life and reliable operation with a minimum emission of exhaust gases are ensured. MAKITA high-performance two-stroke engine oil is available in the following sizes to suit your individual requirements:

- 1 l order number 980 008 607
- 100 ml order number 980 008 606

In case MAKITA high-performance two-stroke engine oil is not available, it is urgently recommended to use a mixture ratio of 40:1, as otherwise optimum operation of the engine cannot be guaranteed.

The correct mixture ratio:

50:1 when using MAKITA high-performance two-stroke engine oil, i. e. mix 50 parts gasoline with 1 part oil.

40:1 when using other two-stroke engine oils, i. e. mix 40 parts gasoline with 1 part oil.

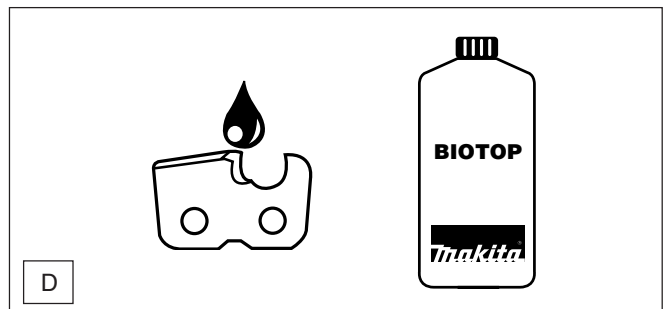
Handling and storage

Utmost care is required when handling with fuel. Fuel can contain substances which have a behavior similar to that of solvents. Fill the tank only outside or ventilated rooms. Do not inhale vapors, avoid any fuel contact with your skin. Fuel cannot be stored. Purchase only the quantity needed for a period of 4 weeks. Use licensed fuel containers only.

For preparing the fuel-oil mixture first mix the entire oil quantity with half of the fuel required, then add the remaining fuel. Thoroughly shake the mixture before pouring it into the chain saw tank.

NOTE:

It is not wise to add more engine oil than specified to ensure safe operation. This will only result in a higher production of combustion residues which will pollute the environment and clog the exhaust channel in the cylinder as well as the muffler. In addition, fuel consumption will rise and performance will decrease.



Chain oil

Use an oil with adhesive additive for lubricating the chain and guide bar. The adhesive additive prevents the oil from being flung off the chain too quickly.

We recommend the use of chain oil which is bio-degradable in order to protect the environment. The use of bio-degradable oil may even be required by local regulations.

The chain oil BIOTOP sold by MAKITA is made of special vegetable oils and is 100% bio-degradable. BIOTOP has been granted the "blue angel" (Blauer Umweltschutz-Engel) for being particularly environment-friendly (RAL UZ 48).

BIOTOP chain oil is available in the following sizes:

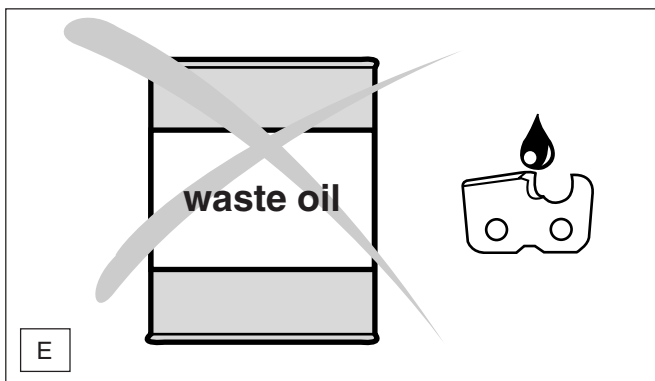
- 1 l order number 980 008 610
- 5 l order number 980 008 611
- 20 l order number 980 008 613

Bio-degradable oil is stable only for a limited period of time. It should be used within 2 years from the date of manufacture (printed on the container).

Important note on bio-degradable chain oils

If you are not planning to use the saw again for an extended period of time (longer than the expiration date of the chain oil), empty the oil tank and put in a small amount of regular **engine oil** (SAE 30), and then run the saw for a time. This is necessary to flush out all remaining bio-degradable oil from the oil tank, oil-feed system, chain and guide bar, as many such oils tend to leave sticky residues over time, which can cause damage to the oil pump or other parts.

The next time you use the saw, fill the tank with BIOTOP chain oil again.



NEVER USE WASTE OIL

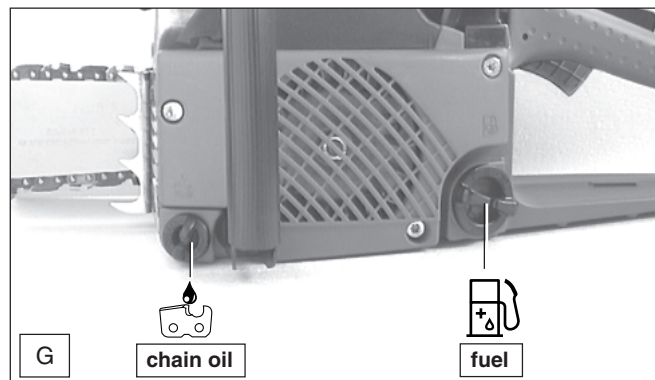
Waste oil is very dangerous for the environment. Waste oil contains high amounts of carcinogenic substances. Residues in waste oil result in a high degree of wear and tear at the oil pump and the sawing device. In case of damage caused by using waste oil or inappropriate chain oil the product guarantee will be null and void. Your salesman will inform you about the use of chain oil.



AVOID SKIN AND EYE CONTACT

Mineral oil products degrease your skin. If your skin comes in contact with these substances repeatedly and for an extended period of time, it will desiccate. Various skin diseases may result. In addition, allergic reactions are known to occur. Eyes can be irritated by contact with oil. If oil comes into your eyes, immediately wash them with clear water. If your eyes are still irritated, see a doctor immediately!

Refuelling



FOLLOW THE SAFETY PRECAUTIONS ON PAGE 7!

Be careful and cautious when handling fuels.

The engine must be switched off!

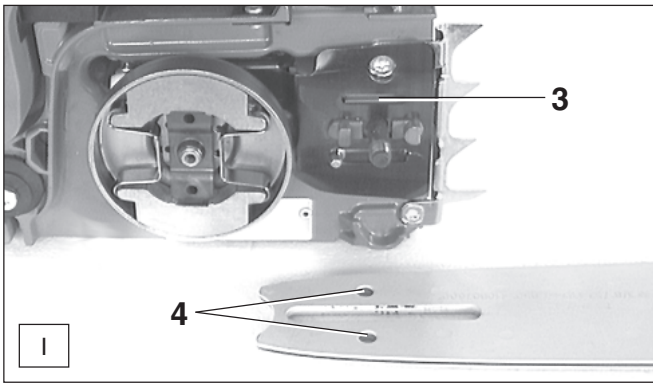
- Thoroughly clean the area around the plugs, to prevent dirt from getting into the fuel or oil tank.
- Unscrew the plug and fill the tank with fuel (fuel/oil mixture) or chain oil as the case may be. Fill up to the bottom edge of the filler neck. Be careful not to spill fuel or chain oil!
- Tightly screw on the plug.

Clean screw plug and tank after refuelling.

Lubricating the chain



During operation there must always be sufficient chain oil in the chain-oil tank to provide good chain lubrication. One filling is sufficient for about one half-hour of continuous operation.



To ensure troublefree operation of the oil pump the oil guide groove at the crank case (I/3) and the oil inlet bore in the guide bar (I/4) must be cleaned regularly.

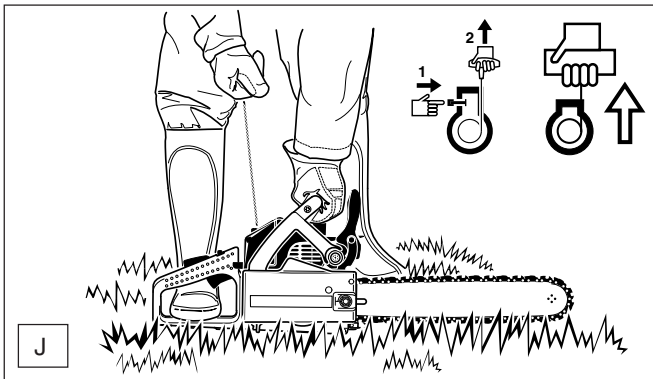
Note:

After the saw has been turned off it is normal for residual chain oil to drip from the oil feed system, the guide bar and the chain for a time. This does not constitute a defect!

Place the saw on a suitable surface.

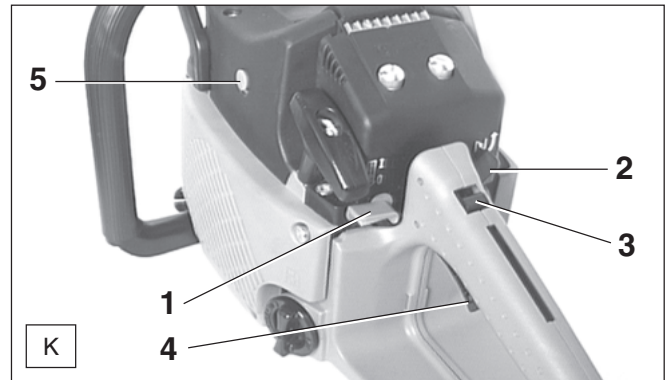
Starting the engine

To make it easier to start, the chain saws DCS 341 and DCS 401 are equipped with a semi-automatic starting valve (K/5). Pushing this valve in reduces the amount of compression effort needed, so that it is easier to bring the engine up to starting speed when pulling the starter cable. The high pressure increase in the combustion chamber that results from the first ignitions will automatically close the starting valve (button pops back out). **Models DCS 340 and DCS 400 do not have a starting valve. Starting and carburetor adjustment are as for models DCS 341 and DCS 401 except without the instruction "Push the starting valve".**




CAUTION: Do not pull out the starter cable more than approx. 50 cm, and lead it back by hand.

- When you hear the first ignition, push the choke (K/2) down. Push the starting valve again (only DCS 341 and DCS 401) and pull the starter cable. As soon as the engine is running, press the throttle (K/4) to release the half-throttle lock (K/3), allowing the engine to idle.



CAUTION: As soon as the engine is started it must be put in idle to prevent the chain brake from being damaged.

- Now release the chain brake. 

Warm start:

- As described above for cold starting, but without using the choke (K/2).

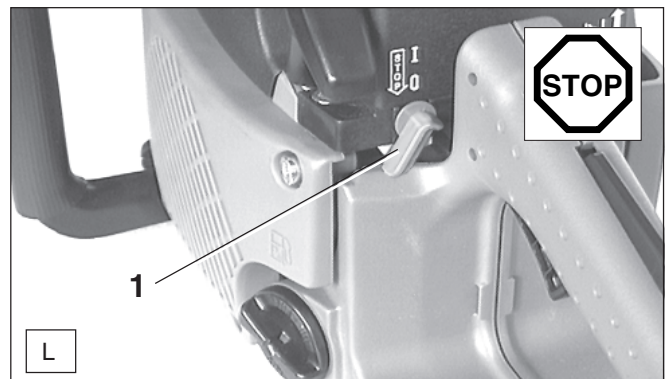


- Move at least 10 feet (3m) away from the place where you fuelled the saw.
- Make sure you have a good footing, and place the saw on the ground in such a way that the chain is not touching anything.
- Engage the chain brake (lock).
- Hold the tubular handle tightly with one hand and press the chain saw to the ground.
- Steady the rear handle by standing in the hand guard.

Cold start:

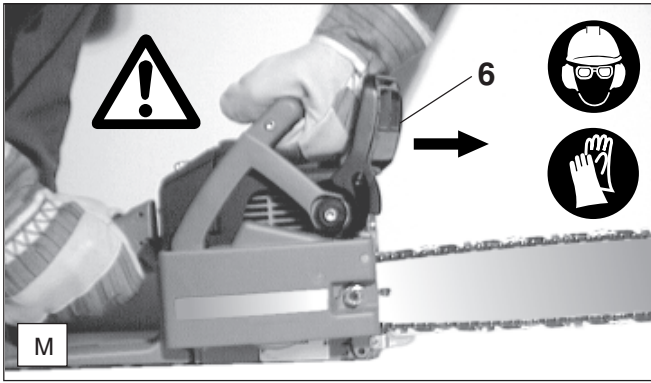
- Put the short-circuit ignition switch in the "I" position (K/1).
- Press the choke up (K/2).
- Press and hold down the half-throttle lock button (K/3).
- Press the throttle (K/4) slightly. The half-throttle lock (K/3) will arrest it.
- Release the grip. The throttle is now locked in half-throttle position.
- Push the starting valve (K/5) (only DCS 341 and DCS 401).
- Slowly pull out the starter cable until you notice resistance (the piston is positioned before the top dead center).
- Now pull the starter cable with a fast and forceful movement until you hear the first ignition.

Stopping the engine



- Put the short-circuiting switch (L/1) in position "O" (STOP).

Checking the safety chain brake



Do not work with the saw without first checking the chain brake!

- Start the engine as described (make sure you have a good footing, and place the saw on the ground in such a way that the blade is free of contact).
- Grasp the tubular handle firmly with one hand and hold the grip with the other.
- With the engine running at moderate speed, press the hand guard (C/1) in the direction of the arrow with the back of your hand until the chain brake engages. The chain should stop immediately.
- Immediately release the throttle and release the chain brake.

IMPORTANT: If the chain does not stop immediately when you test the chain brake, do NOT use the saw! Take the saw to a MAKITA service center.

Adjusting the carburetor

CAUTION:

Optimum performance can only be achieved if the carburetor is adjusted correctly. For this work, which should be carried out by an expert, the engine must be warmed up for a period of 3-5 min. and the air filter must be clean.

The carburetor has been adjusted by MAKITA on the basis of atmospheric pressure conditions at sea level. Other atmospheric pressure conditions or the running-in process of a new engine may require readjustment of the carburetor.

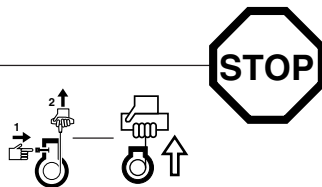
It is urgently recommended to use a revolution indicator (O/1) (order number 950 233 210) in order to achieve a correct adjustment of the carburetor. Adjust the carburetor using a 4 mm screwdriver.

The screwdriver shown (O/2) (order number 944 340 001) has a molded-on lug to assist in adjustment.

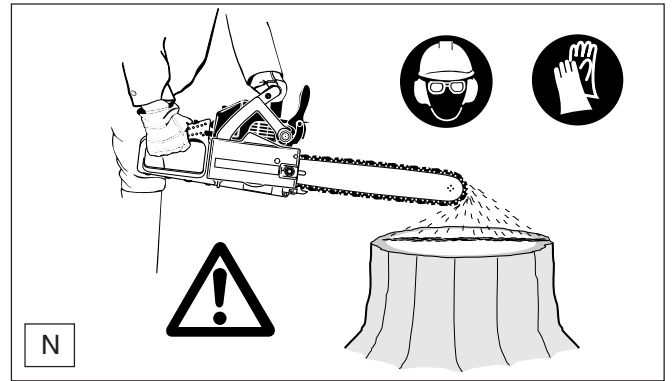


For adjusting the carburetor correctly the following steps must be carried out:

1. Warm up engine
2. Switch off engine
3. Basic adjustment
4. Start engine
5. Set idle speed
6. Adjust speed
7. Check idling speed
8. Check acceleration
9. Check max. speed or output
10. Repeat adjustment procedure starting with step 5, until idling speed, max. speed and acceleration are reached with the adjustment made.



Checking the chain lubrication

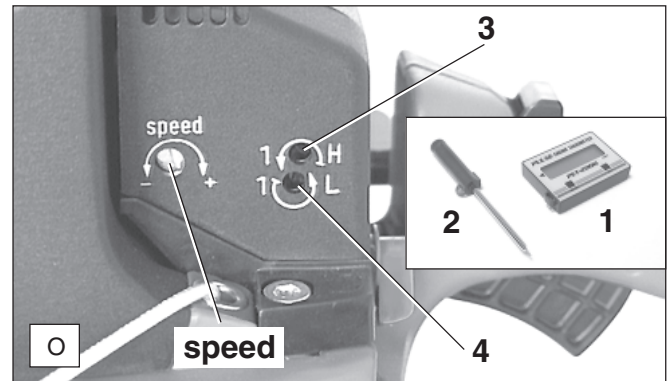


Never work with the chain saw without sufficient chain lubrication. Otherwise the service life of the chain and guide bar will be reduced.

Before starting work check the oil level in the tank and the oil feed. Check the oil feed rate as described below:

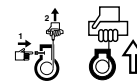
- Start the chain saw.
- Hold the running chain saw approx. 15 cm above a trunk or the ground (use an appropriate base).

If the lubrication is sufficient, you will see a light oil trace because oil will be flung off the sawing device.



Basic adjustment (step 3)

- First, carefully turn the 2 adjusting screws for the main jet (O/3) and the idle jet (O/4) to the right (clockwise) until you feel them stop.
- Now turn both screws one turn to the left (counter-clockwise).



Set idle speed (step 5)

- If the chain turns when the engine is idling, unscrew the throttle-valve stop screw (O/speed) until the chain stops. If the engine runs unevenly, screw the screw (O/speed) back in.
- Idling speed should be 2,600 rpm.

Adjust speed (output) (step 6)

- Adjust the speed by adjusting the main jet screw (O/3) to 11,500 rpm (DCS 340, 341), 12,000 rpm (DCS 400, 401).

Check idle speed (item 7)

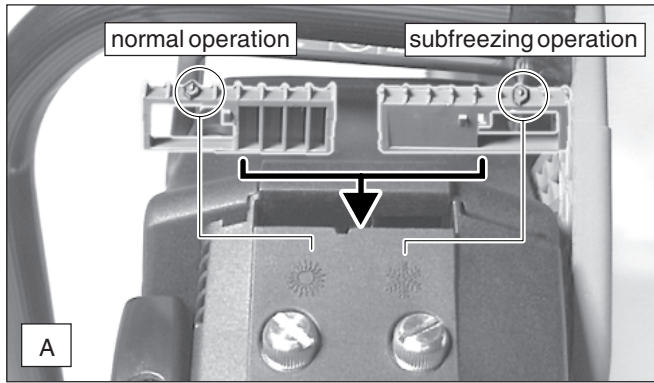
- After having adjusted the max. speed ensure the idle speed is set to 2,600 1rpm. (the chain must not turn). Use the idle jet screw (O/4) to regulate it. Turn in the screw (O/4) to speed up, and turn out the screw (O/4) to speed down the engine.

Check acceleration (item 8)

- Now check the acceleration, i. e. the time necessary for speeding up from idle speed to max. speed. To do this, press the throttle lever hard.
- If the acceleration is too low, turn out the idle jet screw (O/4) approx. 1/8 rotation.

Do not run the engine without load a high speed, open throttle fully only, if you are sawing!

Working in winter



In order to prevent carburetor icing in conditions of low temperature combined with high humidity, and in order to get up to operating temperature faster in subfreezing temperatures, heated air can be taken from the cylinder (marking (circled) on insert in "snowflake" position).

At temperatures above freezing the carburetor must NOT be fed heated air (marking (circled) on insert in "sun" position).

Failure to follow these instructions can lead to damage to the cylinder and piston!

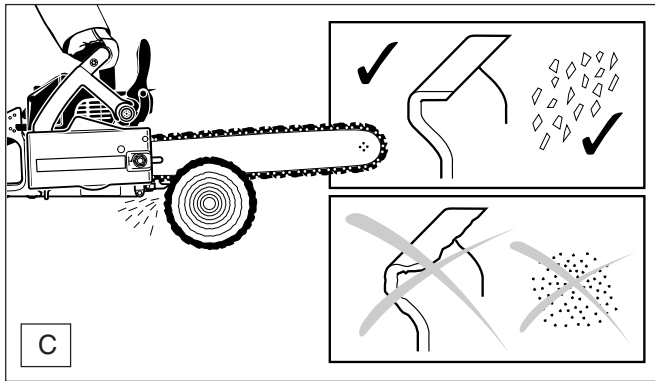
MAINTENANCE

Sharpening the saw chain



CAUTION:

Before doing any work on the guide bar or chain, **always** switch off the engine and pull the plug cap off the spark plug (see "Replacing the spark plug"). Always wear protective gloves!



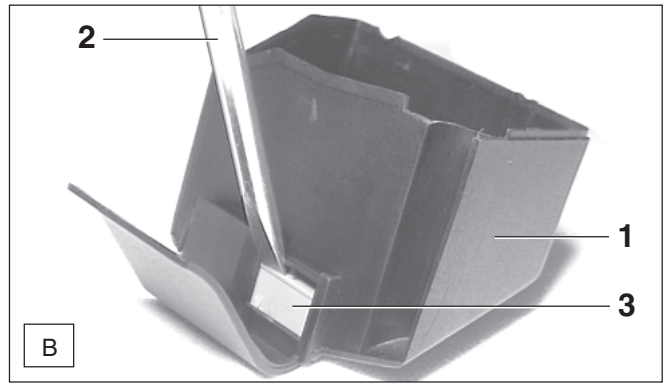
The chain needs sharpening when:

- The sawdust produced when sawing damp wood looks like wood flour.
- The chain penetrates the wood only under great pressure.
- The cutting edge is visibly damaged.
- The saw is pulled to the left or right when sawing. This is caused by uneven sharpening of the chain.

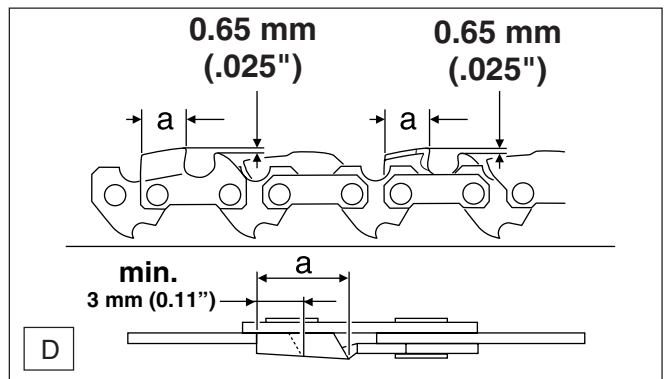
Important: Sharpen frequently, but without removing too much metal!

Generally, 2 or 3 strokes of the file will be enough.

Have the chain resharpened at a service center when you have already sharpened it yourself several times.



- Remove the filter cover (B/1).
- Position the universal wrench (B/2) as shown above and push the insert (B/3) out by tapping the wrench.
- Put the insert (B/3) back in in the appropriate position, i.e. with the marking next to the sun symbol for normal operation or the snowflake symbol for subfreezing operation.
- Replace filter cover (B/1).



Proper sharpening:

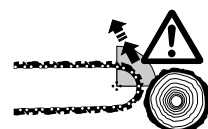
CAUTION:

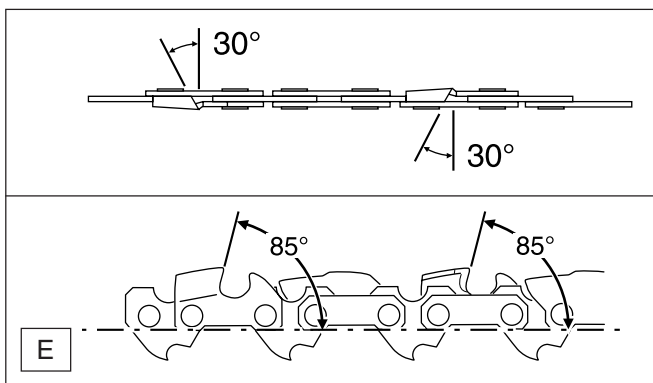
Use only chains and guide bars designed for this saw (see the Extract from the spare-parts list)!

- All cutters must be of the same length (dimension a). Cutters with different lengths result in rough running of the chain and can cause cracks in the chain.
- Minimum cutter length is 0.11" (3 mm). Do not resharpen the chain when the minimum cutter length has been reached; at this point, the chain must be replaced (see the Extract from the spare-parts list and "Replacing the chain").
- The depth of the cut is determined by the difference in height between the depth limiter (round nose) and the cutting edge.
- The best results are obtained with a depth-limiter depth of 0.65 mm (.025").

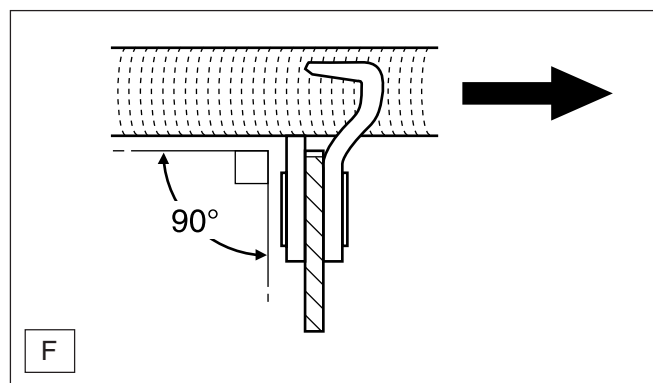
CAUTION:

Excessive depth increases the risk of kickback!



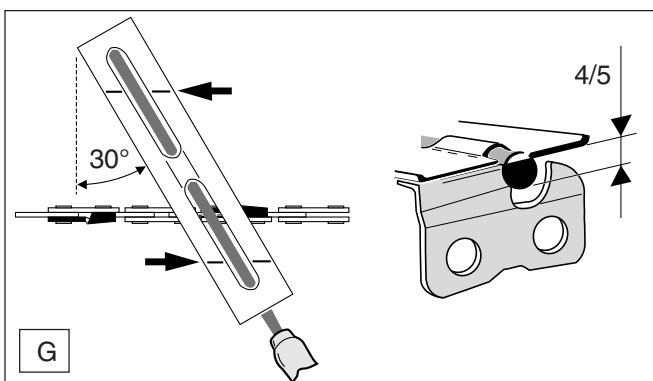


- All cutters must be sharpened to the same angle, 30°. Different angles result in a roughly, irregularly running chain, increase wear and tear and cause chain breakage.
- The 85° front rake of the cutter results from the cut depth of the round file. If the proper file is used in the right manner, the correct front rake will be obtained automatically.

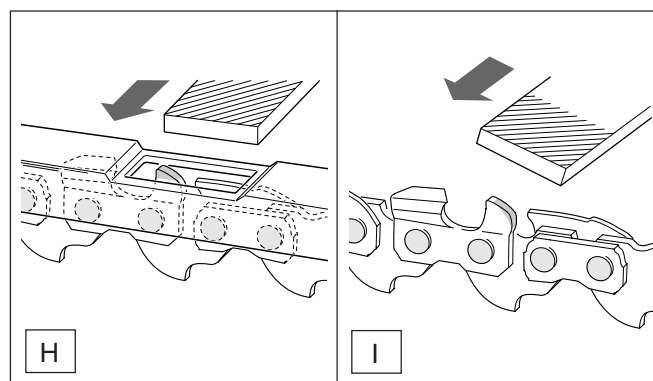


Files and how to work with them

- Use a special round file for chains (dia. 4 mm) for sharpening the chain. Normal round files are not appropriate for this work. See "Accessories" for the order number.
- The file should cut only when pushed forwards (arrow). Lift the file when leading it backwards.
- First sharpen the shortest cutter. The length of this cutter is then the standard for all other cutters of the chain.
- Always guide the file horizontally (90° to the guide bar).



- The file holder makes file guidance easier. It is marked for the correct 30° sharpening angle (keep the marks parallel with the chain when filing, see illustration) and limits the cut depth to the correct 4/5 of the file diameter. See "Accessories" for the order number.



- After having sharpened the chain, the height of the depth limiter must be checked by means of a chain gauge. See "Accessories" for the order number.
- Correct even the smallest excess height with a special flat file (H). See "Accessories" for the order number.
- Round off the front of the depth limiter (I).

Cleaning the guide bar, lubricating the sprocket nose

CAUTION:
Protective gloves must be worn.

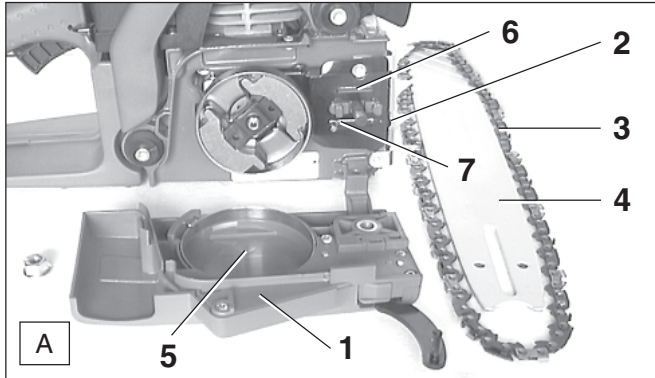


Regularly inspect the bearing surfaces of the guide bar for damage, and clean them with a suitable tool.

If the saw is used intensively it will be necessary to lubricate the return sprocket bearings regularly (once a week). To do this, first **thoroughly** clean the 2 mm hole at the tip of the guide bar, and then press in a small amount of multi-purpose grease. Multi-purpose grease and grease guns are available as accessories.

Multi-purpose grease (order no. 944 360 000)
Grease gun (order no. 944 350 000)

Cleaning the brake band and sprocket interior



CAUTION: Before doing any work on the guide bar or chain, always switch off the engine and pull the plug cap off the spark plug (see "Replacing the spark plug"). Always wear protective gloves!

CAUTION: Start the chain saw only after having assembled it completely and inspected!

- Remove the sprocket guard (A/1) (See "PUTTING INTO OPERATION" figs. A and B).
- Turn the chain tightener screw (A/2) to the left (counter-clockwise) until you feel resistance.
- Remove the chain (A/3) and guide bar (A/4).
- Clean the interior with a brush, in particular the brakeband area (A/5).

NOTE:

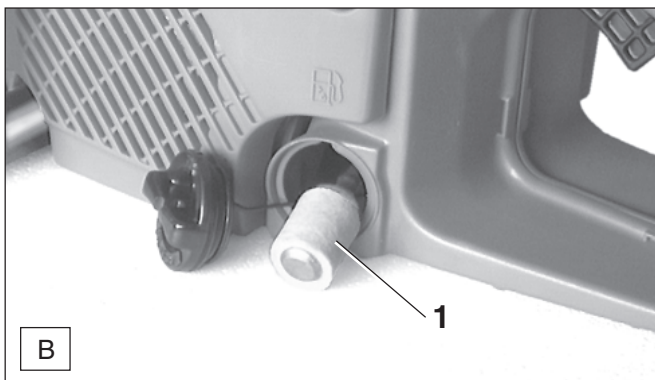
Make sure that no residue or contaminants remain in the oil guide groove (A/6) and the chain tightener (A/7).

- For replacing the guide bar, chain, and sprocket see "PUTTING INTO OPERATION".

NOTE:

The chain brake is a very important safety device and like any other component subject to normal wear and tear. Regular inspection and maintenance are important for your own safety and must be done by a MAKITA service center.

Replacing the suction head

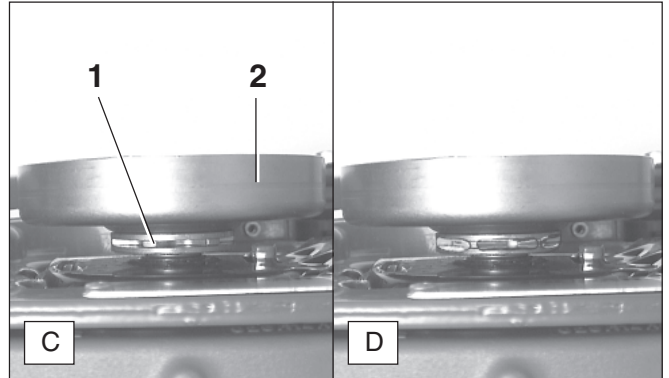


The felt filter (B/1) of the suction head can become clogged. It is recommended to replace the suction head once every three months in order to ensure unimpeded fuel flow to the carburetor. To remove the suction head for replacement, pull it out through the tank filler neck using a piece of wire bent at one end to form a hook.

Replacing the saw chain

CAUTION:

Use only chains and guide bars designed for this saw (see the Extract from the spare-parts list)!



Check the sprocket (C/1) before mounting a new chain.

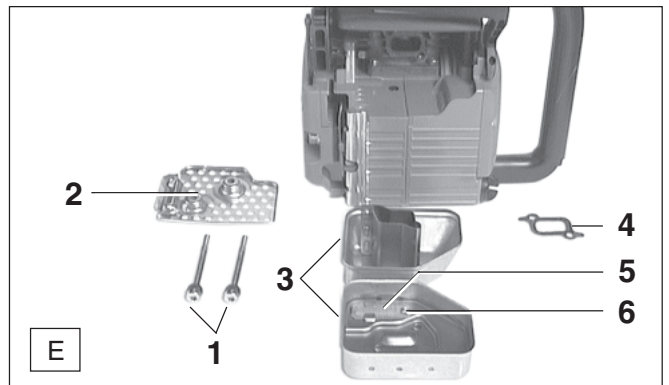
The sprocket is located underneath the clutch drum (C/2).

CAUTION:

Worn out sprockets (D) may damage the new chain and must therefore be replaced.

Do not attempt to replace the sprocket yourself. Sprocket replacement requires special training and tools and must be done at a MAKITA service center.

Replacing / cleaning the spark arrester screen



The spark arrester screen should be checked and cleaned regularly.

- Unscrew the muffler bolts (E/1) and remove the protective screen (E/2).
- Carefully remove the muffler (E/3).

NOTE: If the muffler gasket (E/4) is damaged, replace it.

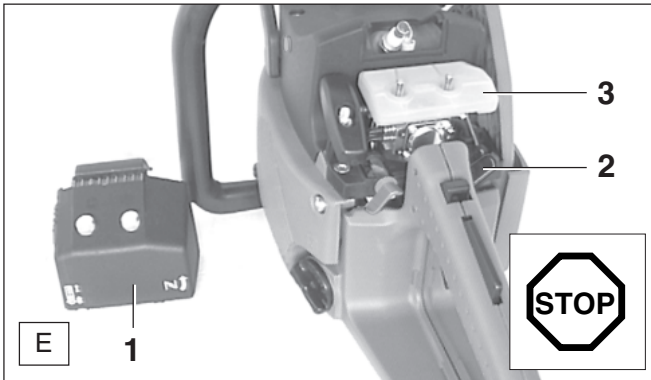
- Unscrew bolt (E/6) and remove the spark arrester screen (E/5).

CAUTION:

Do not use sharp or pointed objects for screen cleaning. Damaged or misformed screen wires may result.

- Reassemble the spark arrester screen (E/5) and tighten the screw (E/6).
- Tighten muffler bolts (E/1) to 5.6 ^{+0.07} ft. lbs. (8.0 ^{+0.1} Nm).

Cleaning the air filter



- Remove the filter cover (E/1) (2 screws).

CAUTION:

Press the choke (E/2) up to shut the choke valve and to prevent dirt particles from entering the carburetor.

- Pull the air filter (E/3) off the carburetor.
- Cover the carburetor with a clean cloth.



- Grasp the top and bottom sections of the air filter as shown in figure F and pull apart.

CAUTION: To prevent injury to the eyes, do NOT blow out dirt particles!

Do not use fuel to clean the air filter.

- Clean the air filter with a soft brush.
- If the filter is very dirty, clean it in lukewarm water with dishwashing detergent.
- Let the air filter **dry completely**.
- Put the top and bottom sections back together.
- Before re-installing the air filter, check the choke valve for dirt particles. If there are any, remove them with a brush.

If the filter is very dirty, clean it frequently (several times a day), because only a clean air filter provides full engine power.

CAUTION: Replace damaged air filters immediately. Pieces of cloth or large dirt particles can destroy the engine!

Replacing the spark plug



CAUTION:

Do not touch the spark plug or plug cap if the engine is running (high voltage).

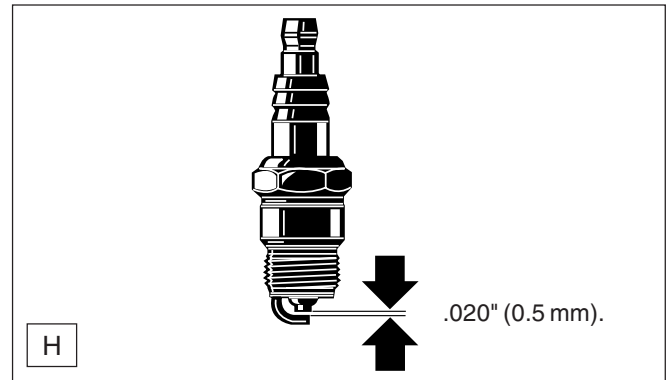
Switch off the engine before starting any maintenance work.

A hot engine can cause burns. Wear protective gloves!

The spark plug must be replaced in case of damage to the insulator, electrode erosion (burn) or if the electrodes are very dirty or oily.

- Remove the filter cover (see "Cleaning the air filter" above, Fig. E/1).
- Pull the plug cap (G/1) off the spark plug. Use only the combination wrench supplied with the saw to remove the spark plug.

CAUTION: Use only the following spark plugs:
NGK BPMR 6F or **CHAMPION RDJ-7Y**.



Electrode gap

The electrode gap must be .020" (0.5 mm).

Checking the ignition spark

- Press the loosened spark plug with the ignition cable firmly connected against the cylinder using insulated pliers (not near the spark plug opening).
- ON/OFF switch in the "I" (ON) position.
- Pull the starter cable hard.

If the function is correct, an ignition spark must be visible near the electrodes.

Instructions for daily and periodic maintenance

To ensure a long servicelife and to prevent any damage the maintenance work described in the following must be performed regularly. The product guarantee will be automatically invalidated if this maintenance is not carried out regularly and according to the instructions.

Perform the following servicing work daily after use. Make a habit of it, it does not require much time and your saw will always function properly.

Possibly hidden faults can be detected in this manner before causing expensive and annoying interruptions of your work. In case you should detect a fault in the safety equipment when performing daily servicing, the saw must not be used before elimination of the fault. The user of the chain saw must not perform maintenance work which is not described in the instruction manual. All such work must be carried out by a MAKITA service center.

			Page
General	Chain saw	Clean exterior, check for damage. In case of damage, have repaired by a qualified service center immediately	24-25
	Saw chain	Sharpen regularly, replace in good time	
	Chain brake	Have inspected regularly at an authorized service center	19
	Guide bar	Turn over to ensure even wear of bearing surfaces Replace in good time	
Before each start	Saw chain	Inspect for damage and sharpness	24
		Check chain tension	19
	Guide bar	Check for damage	23
	Chain lubrication	Functional check	
	Chain brake	Functional check	20
OFF switch, Safety locking button, Throttle lever	Functional check	22	
	Fuel/oil tank plug	Check for tightness	
Every day	Air filter	Clean	27
	Guide bar	Check for damage, clean oil intake bore	22
	Guide bar support	Clean, in particular the oil guide groove	22, 26
	Idle speed	Check that a sufficient difference is existing between idling speed and engaging speed, to ensure that the chain is in standstill while the engine is idling.	23
Every week	Fan housing	Clean to ensure proper air cooling	27
	Carburetor interior	Clean (remove filter cover for access)	
	Chain brake	Clean the brake band (sawdust, oil)	26
	Spark plug	Check and replace if necessary	27
	Muffler	Check tightness of mounting, clean spark arrester screen	26
	Chain guide	Check	25
Every 3 months	Suction head	Replace	26
	Fuel, oil tanks	Clean	
Storage	Chain saw	Clean exterior, check for damage. In case of damage, have repaired by a qualified service center immediately	26
	Guide bar/chain	Demount, clean and oil slightly	
	Fuel, oil tanks	Clean the guide groove	
	Carburetor	Empty and clean Run empty	

Service, spare parts and guarantee

Maintenance and repair


The maintenance and repair of modern engines as well as all safety devices require qualified technical training and a special workshop equipped with special tools and testing devices.

We therefore recommend that you consult a MAKITA service center for all work not described in this instruction manual.

The MAKITA service centers have all the necessary equipment and skilled and experienced personnel, who can work out cost-effective solutions and advise you in all matters.

Please contact the general agent or importer indicated on the back cover of this Instruction Manual, who will gladly provide you with the address of your nearest MAKITA service center.

Spare parts

Reliable long-term operation, as well as the safety of your chain saw, depend among other things on the quality of the spare parts used. Use only original MAKITA parts, marked 

Only original spare parts and accessories guarantee the highest quality in material, dimensions and function.

Original spare parts and accessories can be obtained from your local dealer. He will also have the spare part lists to determine the required spare part numbers, and will be constantly informed about the latest improvements and spare part innovations.

Please bear in mind that if parts other than original MAKITA spare parts are used, this will automatically invalidate the MAKITA product guarantee.

Guarantee

MAKITA guarantees the highest quality and will therefore reimburse all costs for repair by replacement of damaged parts resulting from material or production faults occurring within the guarantee period after purchase. Please note that in some countries particular guarantee conditions may exist. If you have any questions, please contact your salesman, who is responsible for the guarantee of the product.

Please note that we cannot accept any responsibility for damage caused by:

- Disregard of the instruction manual.
- Non-performance of the required maintenance and cleaning.
- Incorrect carburetor adjustment.
- Normal wear and tear.
- Obvious overloading due to permanent exceeding of the upper performance limits.
- Use of guide bars and chains which have not been approved.
- Use of guide bar and chain lengths which have not been approved.
- Use of force, improper use, misuse or accidents.
- Damage from overheating due to dirt on the fan housing.
- Work on the chain saw by unskilled persons or inappropriate repairs.
- Use of unsuitable spare parts or parts which are not original MAKITA parts, insofar as they have caused the damage.
- Use of unsuitable or old oil.
- Damage related to conditions arising from lease or rent contracts.

Cleaning, servicing and adjustment work is not covered by the guarantee. All repairs covered by the guarantee must be performed by a MAKITA service center.

Troubleshootig

Malfunction	System	Observation	Cause
Chain does not run	Chain brake	Engine runs	Chain brake actuated.
Engine does not start or only with difficulty	Ignition system Fuel supply Compression system Mechanical malfunction	Ignition spark No ignition spark Fuel tank is filled Inside Outside Starter does not engage	Malfunction in fuel supply system, compression system, mechanical malfunction. Switch on STOP, fault or short-circuit in the wiring, plug cap or spark plug defective. Choke in wrong position, carburetor defective, suction head dirty, fuel line bent or interrupted. Cylinder base packing ring defective, radial shaft packings defective, cylinder or piston rings defective Spark plug does not seal. Spring in starter broken, broken parts inside the engine.
Warm start difficulties	Carburetor	Fuel tank is filled Ignition spark	Wrong carburetor adjustment.
Engine starts, but dies immediately	Fuel supply	Fuel tank is filled	Wrong idling adjustment, suction head or carburetor dirty. Tank venting defective, fuel line interrupted, cable defective, STOP switch defective. Starting valve dirty (DCS 341/401).
Insufficient power	Several systems may be involved simultaneously	Engine is idling	Air filter dirty, wrong carburetor adjustment, muffler clogged, exhaust channel in cylinder clogged.
No chain lubrication	Oil tank/pump	No oil on the chain	Oil tank empty. Oil guide groove dirty. Oil-pump adjusting screw incorrectly adjusted.

Extract from the spare parts list

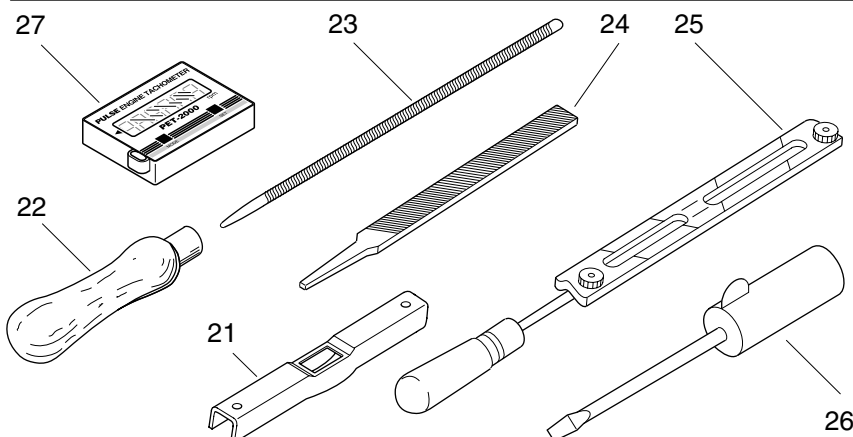
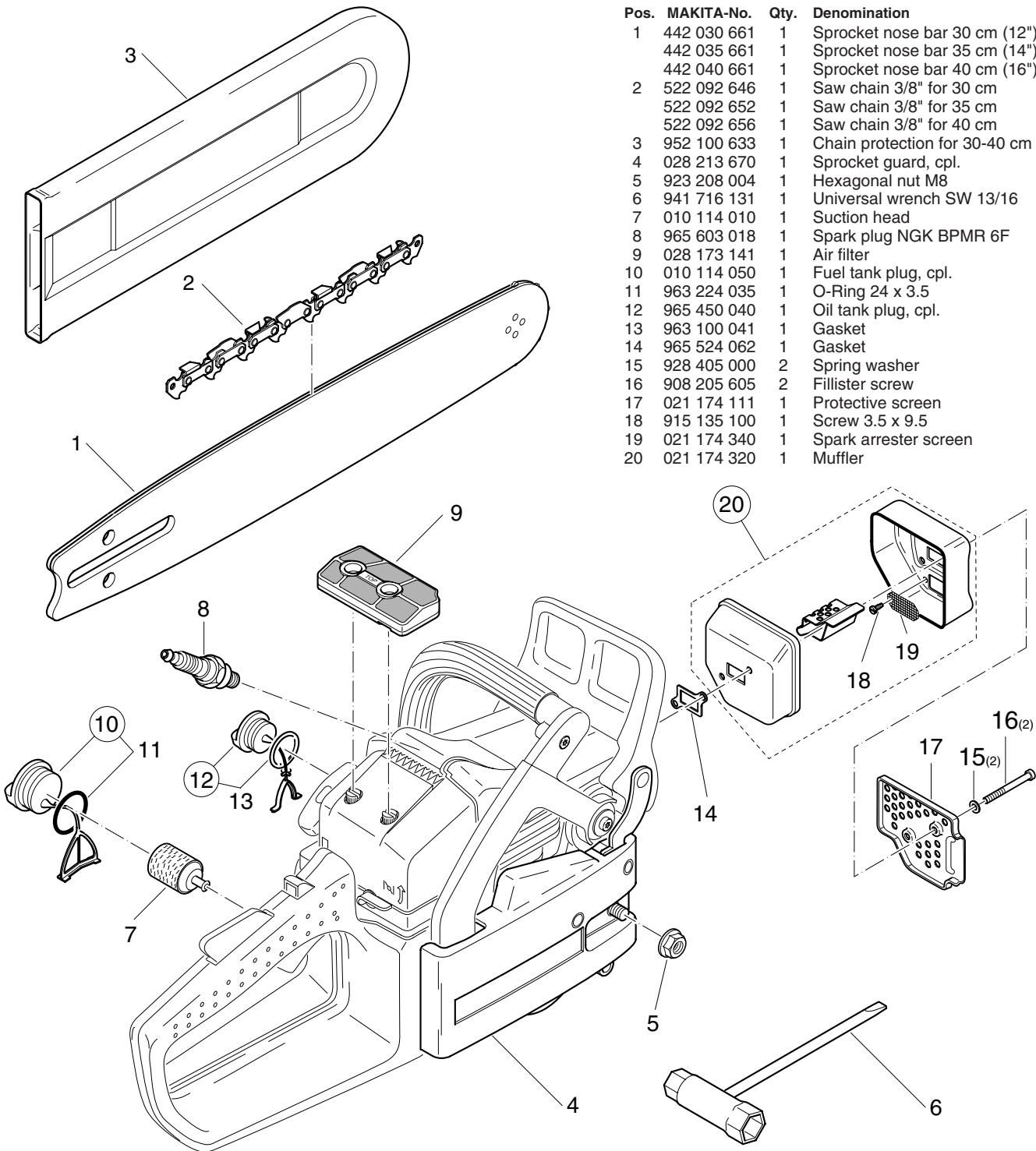
Use only original MAKITA parts. For repairs and replacement of other parts, see your MAKITA service center.

DCS 340 / DCS 341

DCS 400 / DCS 401



Pos.	MAKITA-No.	Qty.	Denomination
1	442 030 661	1	Sprocket nose bar 30 cm (12")
	442 035 661	1	Sprocket nose bar 35 cm (14")
	442 040 661	1	Sprocket nose bar 40 cm (16")
2	522 092 646	1	Saw chain 3/8" for 30 cm
	522 092 652	1	Saw chain 3/8" for 35 cm
	522 092 656	1	Saw chain 3/8" for 40 cm
3	952 100 633	1	Chain protection for 30-40 cm
4	028 213 670	1	Sprocket guard, cpl.
5	923 208 004	1	Hexagonal nut M8
6	941 716 131	1	Universal wrench SW 13/16
7	010 114 010	1	Suction head
8	965 603 018	1	Spark plug NGK BPMR 6F
9	028 173 141	1	Air filter
10	010 114 050	1	Fuel tank plug, cpl.
11	963 224 035	1	O-Ring 24 x 3.5
12	965 450 040	1	Oil tank plug, cpl.
13	963 100 041	1	Gasket
14	965 524 062	1	Gasket
15	928 405 000	2	Spring washer
16	908 205 605	2	Fillister screw
17	021 174 111	1	Protective screen
18	915 135 100	1	Screw 3.5 x 9.5
19	021 174 340	1	Spark arrester screen
20	021 174 320	1	Muffler



Accessories (not delivered with the chain saw)

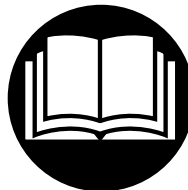
21	953 100 090	1	Chain gauge
22	953 004 010	1	File handle
23	953 003 090	1	Round file, dia. 4 mm
24	953 003 060	1	Flat file
25	953 030 010	1	File holder (with 4 mm dia. round file)
26	944 340 001	1	Carburetor screwdriver
27	950 233 210	1	Tachometer
-	949 000 031	1	Combined can (for 5l fuel, 2.5l oil)

ATTENTION!

Une utilisation négligente ou incorrecte de ce produit peut entraîner des blessures graves ou mortelles! Avant d'utiliser une tronçonneuse ou d'autres produits MAKITA, il est important que vous ayez lu et entièrement compris et que vous suiviez avec soin les instructions fournies par le présent mode d'emploi. Le retour de chaîne peut entraîner des blessures graves ou mortelles et constitue l'un des nombreux dangers potentiels liés à l'utilisation d'une tronçonneuse. Ce mode d'emploi décrit de façon détaillée le retour de chaîne et les autres mesures de sécurité. D'autres exemplaires de ce mode d'emploi peuvent être commandés auprès de MAKITA USA, INC., 14930-C Northam Street, La Mirada, CA 90638-5753, téléphone (714) 522 80 88 et de MAKITA CANADA INC., 1950 Forbes Street, Whitby, Ontario, Canada, L1N 7B7, téléphone (905) 571 22 00.

Ce produit est en conformité avec: la norme de sécurité pour tronçonneuses B 175.1-1991 de l'American National Standard Institute,
la norme de sécurité pour tronçonneuses Z62.1-95 de la Canadian Standards Association,
la norme relative au choc de recul pour tronçonneuses Z62.3-96.

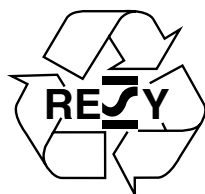
Cette tronçonneuse est un produit allemand de qualité. Ce mode d'emploi contient des instructions importantes pour son montage et son utilisation. Pour votre sécurité, lisez très soigneusement les instructions de prévention des accidents avant de mettre en service votre tronçonneuse car une utilisation incorrecte peut, malgré toutes les précautions prises, entraîner des accidents. Avec un peu de soin et d'attention, ce produit de toute première qualité vous rendra d'excellents services et vous donnera entière satisfaction pendant très longtemps. Dans l'appareil ont été observés les droits de protection suivants: GSM MR 11414, GBM 9212059, GBM 29616652.



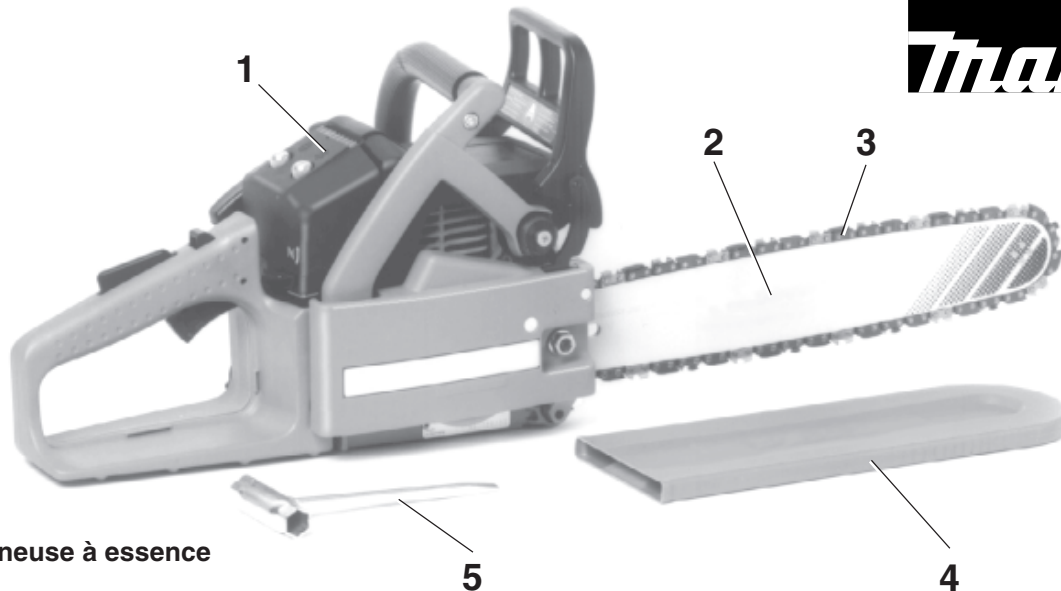
MAKITA DCS 340, DCS 341, DCS 400, DCS 401

Sommaire	page	Sommaire	page
Emballage	32	Réglage du carburateur	52
Symboles	32	Marche hivernale	53
Mesures de sécurité	33-44	Affûtage de la chaîne de sciage	53-54
Désignation des composants	45	Nettoyer le rail-guide de la chaîne	54
Caractéristiques techniques	46	Nettoyer l'intérieur de la bande de frein de chaîne et de la roue à chaîne	55
Combinaisons autorisées de guides et de chaînes	46	Remplacement de la crépine d'aspiration	55
Montage du rail-guide et de la chaîne de sciage	47-48	Nouvelle chaîne de sciage	55
Contrôle de la tension de la chaîne	48	Changement / nettoyage du pare-étincelles	55
Frein de chaîne de sécurité	49	Nettoyage du filtre d'air	56
Carburant/ravitaillement	49-50	Remplacement de bougie	56
Démarrer le moteur	51	Instruction d'entretien quotidien et périodique	57
Arrêter le moteur	51	Service d'atelier, pièces de rechange et garantie	58-59
Vérifier le frein de chaîne de sécurité	52	Recherche de pannes	59
Vérifier le graissage de la chaîne	52	Extrait de la liste des pièces de rechange	60

Les tronçonneuses MAKITA DCS 340/341/400/401 sont livrées dans un carton qui les protège des dommages dus au transport. Le carton est une matière première de base qui peut être réutilisée ou recyclée (recyclage des vieux papiers).



Etendue de la fourniture



1. Tronçonneuse à essence
2. Guide
3. Chaîne
4. Housse de protection du rail
5. Outillage de montage
6. Mode d'emploi (sans illustration)

Si un des composants indiqués ici ne devait pas être dans la fourniture, veuillez vous adresser à votre vendeur!

Symboles

Vous rencontrerez les symboles suivants sur l'appareil et dans les instructions d'emploi:

	Lire instructions d'emploi et suivre les consignes de sécurité et d'avertissement!		Interrupteur de marche/arrêt (I/O)		Choc de recul! (Kickback)
			Arrêter le moteur!		Frein de chaîne
	Danger et attention particuliers!		Appuyer sur la soupape de mise en marche		Mélange carburant
	Interdit!		Démarrer le moteur		Huile pour chaîne de sciage
	Porter le casque, les lunettes et acoustiques de protection!		Levier choke		Premier secours
	Porter des gants de protection!		Réglage du carburateur		Recyclage
	Interdiction de fumer!		Fonctionnement en hiver	<div style="border: 1px solid black; padding: 5px;">Symboles additionnels voir page 34.</div>	
	Pas de feu ouvert!		Fonctionnement en été		

Mesures de sécurité à respecter par les utilisateurs de tronçonneuses

Lorsque vous utilisez la tronçonneuse, veuillez respecter les règles suivantes :

- a) Evitez tout contact entre la pointe du guide et tout objet.
- b) Le contact de la pointe peut entraîner un déplacement brutal du guide vers le haut et vers l'arrière et être à l'origine de blessures graves ou mortelles.
- c) Il faut toujours utiliser la tronçonneuse en la tenant des deux mains.

ATTENTION!

Lisez et respectez toutes les mesures de sécurité indiquées dans le mode d'emploi. Le non-respect des instructions peut avoir pour conséquence des blessures graves.

ATTENTION!

Cette tronçonneuse est capable de violents retours de chaîne qui peuvent blesser gravement l'utilisateur. N'utilisez cette tronçonneuse que si vous avez besoin de procéder à des travaux intensifs et si vous disposez d'une expérience et d'une formation vous permettant de maîtriser le choc de recul. Il existe des tronçonneuses à risque de choc de recul réduit.

ATTENTION!

Le choc de recul peut se produire lorsque la pointe ou l'extrémité du guide touche un objet ou lorsque le bois se referme et coince la chaîne dans la coupe. Le contact peut arrêter brutalement la **chaîne** et dans certains cas causer une **réaction** inverse extrêmement rapide, entraînant un déplacement du guide vers le haut et vers l'arrière vers l'utilisateur. Le **choc de recul** peut vous faire perdre le contrôle de la tronçonneuse.

Certaines mesures peuvent être prises par les utilisateurs de tronçonneuses pour réduire le risque de choc de recul et de blessure.

- A. Si vous avez bien assimilé le principe du choc de recul, vous pouvez réduire ou éliminer l'effet de surprise qui augmente le risque d'accident.
- B. Lorsque le moteur tourne, tenez fermement la tronçonneuse à deux mains, la main droite sur la poignée arrière et la main gauche sur la poignée tubulaire. Tenez fermement les poignées de la tronçonneuse en les entourant avec le pouce et les autres doigts. Une prise ferme peut neutraliser le choc de recul et vous aider à garder le contrôle de la tronçonneuse. Ne lâchez pas prise!
- C. Assurez-vous que la zone où vous travaillez ne présente pas d'obstacles. Ne laissez pas la pointe du guide toucher le rondin, la branche ou tout autre obstacle qui pourrait être heurté pendant que vous utilisez la tronçonneuse.
- D. Ne coupez pas les bras tendus ou plus haut qu'à hauteur d'épaules.
- E. Respectez les instructions du fabricant relatives à l'affûtage et à l'entretien de la tronçonneuse.
- F. N'utilisez que les guides et les chaînes indiqués par le constructeur ou des pièces équivalentes.

Mesures de sécurité supplémentaires

Tous les utilisateurs de tronçonneuses doivent respecter les mesures de sécurité supplémentaires ci-dessous :

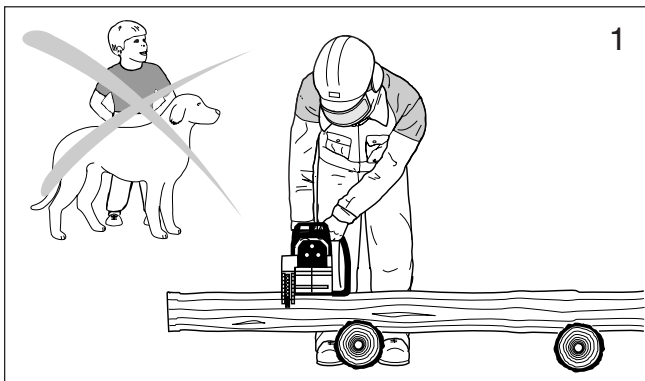
1. Ne travaillez pas avec une tronçonneuse lorsque vous êtes fatigué.
2. Utilisez des chaussures de sécurité, des vêtements ajustés, des gants de sécurité ainsi que des lunettes, un casque antibruit et un casque de sécurité.
3. Maniez le carburant avec prudence. Eloignez la tronçonneuse d'au moins 10 pieds (3 m) du point de ravitaillement avant de démarrer le moteur.
4. Assurez-vous que personne ne se trouve à proximité de la tronçonneuse au moment du démarrage ou pendant la coupe. Maintenez les spectateurs et les animaux en dehors de la zone de travail.
5. Ne commencez pas la coupe avant d'avoir dégagé la zone de travail, de vous être assuré une position stable au sol et d'avoir prévu une voie de repli vous permettant de vous retirer lorsque l'arbre s'abattra.
6. Lorsque le moteur tourne, maintenez la chaîne de la tronçonneuse à distance de votre corps.
7. Avant de démarrer le moteur, assurez-vous que la chaîne ne touche aucun objet.
8. Portez la tronçonneuse moteur arrêté, le guide et la chaîne vers l'arrière et le pot d'échappement éloigné de vous.
9. N'utilisez pas de tronçonneuse endommagée, incorrectement réglée ou incomplètement et incorrectement montée. Assurez-vous que la chaîne s'arrête lorsque vous relâchez la gâchette des gaz.
10. Arrêtez le moteur avant de poser la tronçonneuse.
11. Soyez extrêmement prudent lorsque vous coupez des broussailles et des jeunes arbres de petites dimensions car du petit bois peut se prendre dans la chaîne de la tronçonneuse et être projeté vers vous ou vous tirer en vous faisant perdre l'équilibre.
12. Lorsque vous coupez des grosses branches qui forcent, faites attention à la détente pour ne pas être heurté lorsque la tension sur les fibres du bois se relâchera.
13. Maintenez les poignées de la tronçonneuse sèches, propres et exemptes d'huile ou de mélange deux temps.
14. N'utilisez la tronçonneuse que dans des endroits correctement ventilés.
15. Ne montez pas dans un arbre avec la tronçonneuse à moins d'avoir reçu une formation spécifique pour ce type d'utilisation.
16. Toutes les opérations d'entretien de la tronçonneuse autres que celles indiquées dans les instructions d'entretien du mode d'emploi doivent être effectuées par MAKITA. (Par exemple, l'utilisation d'outils inappropriés pour retirer le volant ou pour maintenir le volant afin de retirer l'embrayage peut entraîner des détériorations du volant et par voie de conséquence son éclatement).
17. Ne transportez la tronçonneuse que munie de la protection de chaîne.
18. Les guides et les chaînes à faible choc de recul sont conçus pour réduire le risque de blessure par choc de recul. Pour toute information sur ces produits, adressez-vous à votre revendeur MAKITA.

Mesures générales de sécurité

L'utilisation de toute tronçonneuse peut être dangereuse. A plein régime, la chaîne peut atteindre une vitesse de 45 mph (20 m/s). Il est important que vous ayez lu et entièrement compris et que vous suiviez les mesures de sécurité et les mises en garde suivantes. Relisez de temps en temps le mode d'emploi et les instructions de sécurité.

ATTENTION!

Les forces de réaction, y compris le choc de recul, peuvent être dangereuses. Une utilisation négligente ou incorrecte de toute tronçonneuse peut entraîner des blessures graves ou mortelles. Demandez à votre revendeur DOLMAR de vous montrer comment utiliser la tronçonneuse. Respectez l'ensemble des règlements, normes et arrêtés de sécurité localement en vigueur.



ATTENTION!

L'utilisation d'une tronçonneuse doit être interdite aux mineurs. Il faut éloigner les spectateurs, en particulier les enfants et les animaux, de la zone d'utilisation de la tronçonneuse (fig. 1). Ne laissez jamais la tronçonneuse fonctionner sans surveillance. Conservez-la sous clé hors de portée des enfants. Remplissez le réservoir de carburant aux 7/8 (cf. stockage de la tronçonneuse). Ne prêtez pas votre tronçonneuse sans ce mode d'emploi. Assurez-vous que toute personne utilisant votre tronçonneuse a bien compris les informations fournies.

L'utilisation correcte d'une tronçonneuse dépend :

1. de l'utilisateur
2. de la tronçonneuse
3. de l'utilisation qui est faite de la tronçonneuse.

Description des symboles figurant sur les tronçonneuses:



Z 62.1-95 et
Z 62.3-96
Classe 1A

Conformité avec les
normes CSA

ANSI B175.1-1991

Conformité avec les
normes ANSI



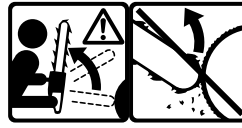
Tronçonneuses conforme aux normes américaines de sécurité pour tronçonneuses équipées d'un moteur à essence (ANSI B 175.1-1991).



Angle maximum de choc de recul calculé (CKA)* sans frein de chaîne, avec les combinaisons de barre et de chaîne recommandées (ici, l'angle CKA est de 45°).

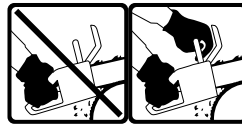


Angle maximum de choc de recul calculé (CKA)* avec frein de chaîne, avec les combinaisons de barre et de chaîne recommandées (ici, l'angle CKA est de 40°).

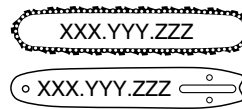


Il faut éviter tout contact de la pointe du guide avec un objet quelconque. Le contact de la pointe peut entraîner un déplacement

brutal du guide vers le haut et vers l'arrière et être à l'origine de blessures graves ou mortelles.



Il faut toujours utiliser la tronçonneuse en la tenant des deux mains!



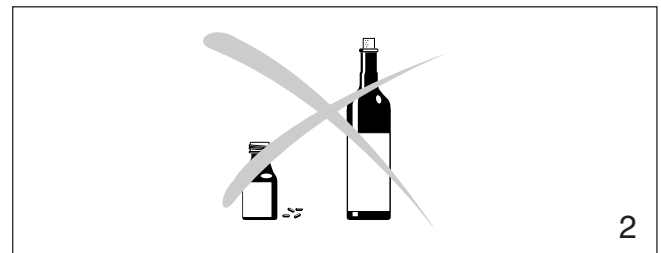
Combinaison réduite entre barre de recul et chaîne évaluée avec le moteur pour obtenir une protection contre le recul (selon normes ANSI et CSA).

* L'angle de choc de recul calculé est une valeur calculée à partir d'énergies mesurées sur un banc d'essai. Ce n'est pas l'angle du guide remontant en cas de CHOC DE REcul.

L'utilisateur

Condition physique

Vous devez être en bonne forme physique et mentale et n'être sous l'influence d'aucune substance (stupéfiants, alcool) pouvant diminuer votre acuité visuelle, votre habileté ou votre jugement.



ATTENTION!

L'utilisation prolongée de tronçonneuses expose l'utilisateur à des vibrations qui peuvent entraîner l'apparition de la maladie de Raynaud. Cette maladie se manifeste par une réduction de la sensibilité et de la régulation de la température au niveau des mains, par des engourdissements et des brûlures. Elle peut également entraîner des lésions nerveuses et circulatoires et une nécrose des tissus. Toutes les tronçonneuses MAKITA sont donc munies d'un système antivibration qui est très important pour les personnes utilisant des tronçonneuses de façon régulière ou prolongée. Les systèmes antivibration ne garantissent pas que vous n'aurez pas la maladie de Raynaud mais elles en réduisent considérablement le risque. Les personnes utilisant une tronçonneuse de façon continue et régulière doivent toutefois examiner leur mains et leurs doigts et, si elles constatent des symptômes anormaux, consulter immédiatement un médecin.

Quels vêtements porter?

L'utilisateur doit porter des vêtements robustes et ajustés mais qui lui laissent une complète liberté de mouvement. Evitez les vestes amples, les écharpes, les cravates, les bijoux, les pantalons à pattes d'éléphant ou à revers ou quoi que ce soit qui puisse se prendre dans la tronçonneuse ou les broussailles. Portez une combinaison ou des jeans munis de renforts de protection contre la coupe (fig. 3).

Portez des gants de sécurité lorsque vous manipulez la tronçonneuse et la chaîne. Les gants antidérapants très résistants améliorent votre prise et protègent vos mains.



Pour travailler avec la tronçonneuse, il est important d'avoir une position stable au sol. Portez des chaussures montantes robustes munies de semelles antidérapantes. Il est conseillé de porter des chaussures de sécurité à embout d'acier.

Il est absolument indispensable de protéger correctement les yeux. Il est conseillé d'utiliser des lunettes antibuées ventilées et une visière pour réduire le risque de blessure aux yeux et au visage.

Protégez-vous la tête en portant un casque de sécurité approprié. Le bruit de la tronçonneuse peut entraîner des lésions de l'ouïe. Utilisez donc toujours une protection antibruit (bouchons ou casque antibruit).

Les personnes utilisant une tronçonneuse de façon continue et régulière doivent faire examiner régulièrement leur acuité auditive .



Porter le casque, les lunettes et acoustiques de protection

La tronçonneuse

Pièces composant la tronçonneuse : cf. les illustrations et les descriptions de la page 45.

ATTENTION!

Ne modifiez jamais une tronçonneuse de quelque façon que ce soit. Seuls les accessoires fournis par MAKITA ou expressément agréés par MAKITA pour une utilisation avec la tronçonneuse spécifiée sont autorisés.

ATTENTION!

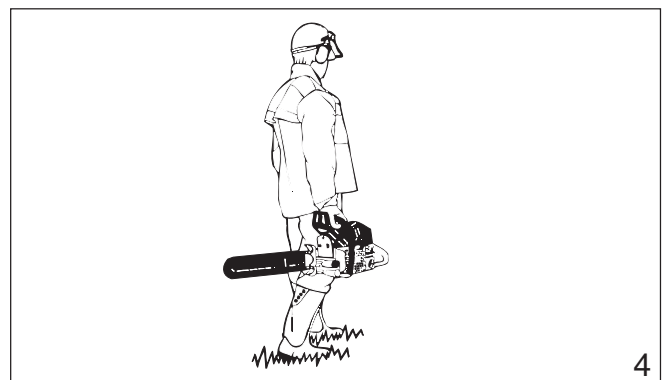
Les guides à étrier augmentent de façon importante le risque de choc de recul et donc de blessure grave ou mortelle en raison de la plus grande zone de choc de recul de la conception à étrier. Les guides à étrier ne sont pas conseillés pour les tronçonneuses MAKITA et il ne sont pas agréés par la norme de sécurité pour tronçonneuses ANSI B 175.1-1991.

Utilisation de la tronçonneuse

Transport de la tronçonneuse

ATTENTION!

Il faut toujours arrêter le moteur avant de déposer ou de porter la tronçonneuse. Il est très dangereux de porter la tronçonneuse avec le moteur en marche. Une accélération intempestive du moteur peut mettre la chaîne en marche. Evitez de toucher le pot d'échappement (risque de brûlure).



Transport à la main: lorsque vous portez votre tronçonneuse à la main, le moteur doit être arrêté et la tronçonneuse doit être en position correcte. La protection de la chaîne doit être mise et le guide doit être orienté vers l'arrière. Lorsque vous portez la tronçonneuse, le guide doit être derrière vous (fig. 4).

Dans un véhicule: lors du transport de la tronçonneuse dans un véhicule, la chaîne et le guide doivent être recouverts avec la protection. Fixez correctement la tronçonneuse pour l'empêcher de se renverser et éviter les fuites de carburant et les détériorations de la tronçonneuse. Assurez-vous que la tronçonneuse n'est pas exposée à la chaleur ou à des étincelles.

Instructions d'utilisation de la tronçonneuse

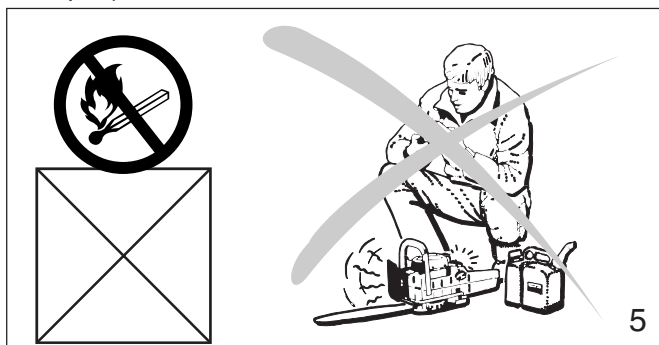
Pour monter la tronçonneuse, suivez la procédure indiquée au chapitre „Montage du guide et de la chaîne“ de ce mode d'emploi. La chaîne, le guide et le pignon MAKITA doivent être assortis (cf. chapitre correspondant de ce mode d'emploi).

ATTENTION!

Il est extrêmement important que la chaîne soit correctement tendue. Pour éviter un réglage incorrect, il faut tendre la chaîne en suivant la procédure indiquée dans ce mode d'emploi. Après avoir tendu la chaîne, assurez-vous toujours que les écrous hexagonaux du cache-pignon sont bien serrés. Vérifiez encore une fois la tension de la chaîne après avoir serré les écrous puis à intervalles réguliers (toujours avant le début du travail). Si la chaîne se détend pendant la coupe, arrêtez le moteur et tendez-la. N'essayez jamais de tendre la chaîne pendant que le moteur est en marche!

Ravitaillement en carburant

Votre tronçonneuse MAKITA fonctionne au mélange deux temps (cf. chapitre „Carburant“ de ce mode d'emploi).



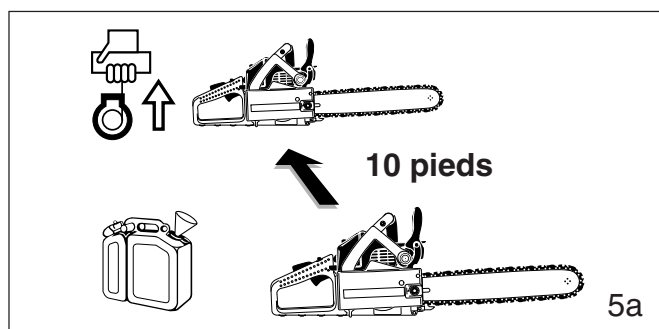
ATTENTION!

L'essence est un carburant très inflammable. Soyez extrêmement prudent lorsque vous manipulez l'essence ou le mélange deux temps. Ne fumez pas et évitez la présence de toute étincelle ou flamme à proximité du carburant (fig. 5).

Instructions de ravitaillement



Faites le plein de votre tronçonneuse dans des endroits bien ventilés ou à l'extérieur. Il faut toujours arrêter le moteur et le laisser refroidir avant de faire le plein. Faites le plein sur un sol nu et éloignez la tronçonneuse d'au moins 10 pieds (3 m) du point de ravitaillement avant de démarrer le moteur (fig. 5a).

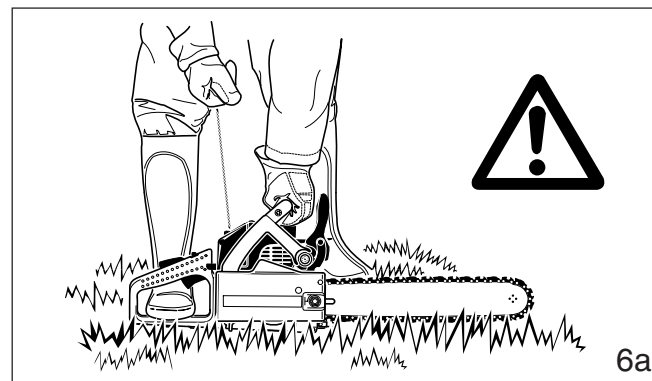
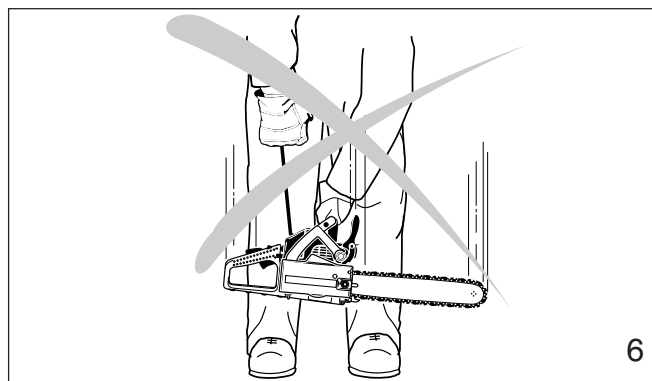


Essuyez le carburant renversé avant de démarrer votre tronçonneuse et examinez-la pour voir si elle fuit.

Examinez votre tronçonneuse pour voir s'il y a des fuites pendant le ravitaillement et l'utilisation. Si vous constatez des fuites de carburant ou d'huile, ne démarrez pas ou ne faites pas fonctionner le moteur avant d'avoir remédié à la fuite et essuyé le carburant renversé. Changez immédiatement de vêtements s'ils sont souillés de carburant (danger de mort!). Évitez le contact de la peau avec le carburant. Ne jamais dévisser ou retirer le bouchon du réservoir de carburant pendant que le moteur tourne.

Démarrage

Ne démarrez pas la tronçonneuse en la laissant descendre au bout du cordon. Cette méthode est très dangereuse car vous pouvez perdre le contrôle de la tronçonneuse (fig. 6).



Posez la tronçonneuse sur un sol ferme ou sur une autre surface dure à un endroit dégagé. Assurez-vous que vous avez une position stable au sol et un bon équilibre. Passez le pied droit dans la poignée arrière et prenez fermement la poignée avant de la main gauche (fig. 6a).

Il faut absolument vous assurer que ni le guide ni la chaîne ne sont en contact avec vous ou avec tout autre obstacle ou objet au sol. En effet, lorsque le moteur démarre avec les gaz à moitié, la vitesse du moteur est suffisante pour que l'embrayage entraîne le pignon et fasse tourner la chaîne, causant ainsi un risque de choc de recul. N'essayez jamais de démarrer le moteur lorsque le guide se trouve dans une coupe ou dans une entaille.

Lorsque vous tirez sur la poignée du démarreur, n'enroulez pas le cordon autour de votre poignet. Ne relâchez pas brusquement la poignée, accompagnez-la lentement pour permettre au cordon de s'enrouler correctement. Le non-respect de cette méthode peut entraîner des blessures de la main ou des doigts et détériorer le démarreur.

Réglages importants

ATTENTION!

Lorsque le ralenti est correctement réglé, la chaîne ne doit pas tourner. Pour le réglage du ralenti, reportez-vous au chapitre correspondant de ce mode d'emploi.

N'utilisez pas de tronçonneuse dont le ralenti n'est pas correctement réglé. Réglez le ralenti vous-même de la façon indiquée dans le chapitre correspondant de ce mode d'emploi.

Demandez à votre revendeur MAKITA d'examiner votre tronçonneuse et de procéder aux réglages corrects ou aux réparations.

Vérifiez souvent la tension de la chaîne, surtout juste après avoir monté une chaîne neuve. Les chaînes neuves peuvent se détendre de façon plus importante pendant les premiers temps d'utilisation. Si la chaîne est bien réglée, il est possible de la tirer librement à la main autour du guide sans qu'elle pende. Pour vérifier ou régler la tension de la chaîne, il faut toujours arrêter le moteur et porter des gants.

Conditions de travail

N'utilisez la tronçonneuse qu'à l'extérieur et uniquement de jour et dans de bonnes conditions de visibilité.

ATTENTION!

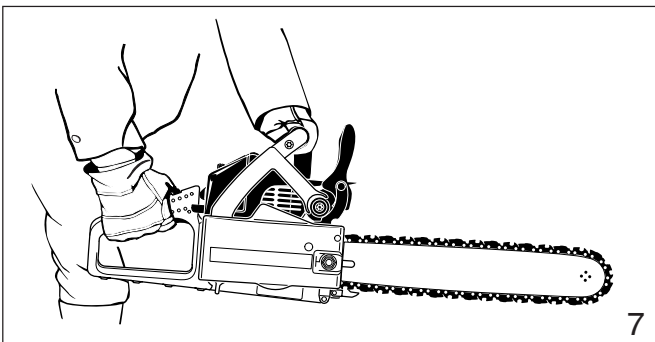
Soyez extrêmement prudent par temps humide ou par gel (pluie, neige, glace). Remettez le travail à plus tard en cas de vent, de tempête ou de pluie violente. Dégagez la zone où vous travaillez.

ATTENTION!

Évitez de trébucher sur des obstacles tels que souches, racines ou pierres et faites attention aux trous et aux fossés. Soyez extrêmement vigilant lorsque vous travaillez sur un terrain incliné ou sur un sol accidenté. Il ya un risque de glissade accru sur les rondins fraîchement écorcés.

Instructions de coupe

Lorsque le moteur tourne, tenez toujours fermement la tronçonneuse à deux mains. Posez la main gauche sur la poignée tubulaire et la main droite sur la poignée et sur la gâchette des gaz. Ces instructions sont également valables pour les gauchers.

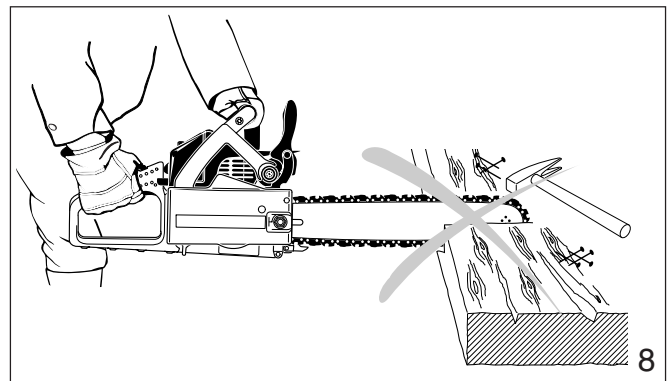


Maintenez fermement les poignées dans le creux de la main en les entourant entre le pouce et l'index (fig. 7). Cette position vous permet de mieux résister et absorber les forces de recul, de traction et de choc de recul de votre tronçonneuse sans qu'elle vous glisse des mains (cf. le point relatif aux forces de réaction). Assurez-vous que les poignées de la tronçonneuse sont en bon état et exemptes d'humidité, de poix, d'huile ou de graisse.

Commencez toujours la coupe avec la chaîne tournant à pleine vitesse et la barre à griffe en contact avec le bois.

ATTENTION!

N'utilisez jamais la tronçonneuse d'une seule main car vous ne pouvez pas contrôler les forces de réaction (cf. pages 38 à 40) et vous pourriez perdre le contrôle de la tronçonneuse.



ATTENTION!

N'utilisez pas la tronçonneuse avec les gaz à moitié car cette position ne vous permet pas de contrôler correctement la tronçonneuse ou la vitesse de la chaîne.

ATTENTION!

Ne jamais trop approcher les mains ou toute autre partie de votre corps d'une chaîne en mouvement.

ATTENTION!

Ne coupez jamais d'autres matériaux que du bois ou des objets en bois.

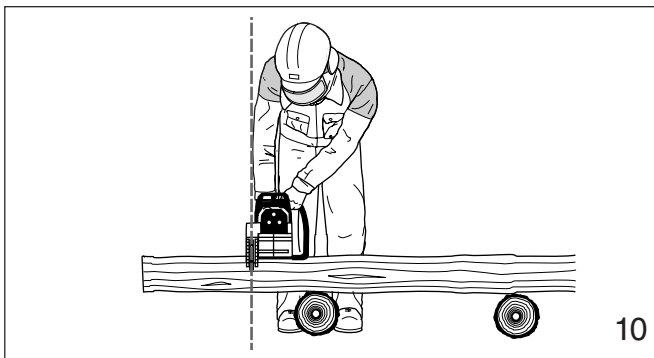
N'utilisez votre tronçonneuse que pour couper, pas pour casser ou pousser des branches, des racines ou d'autres objets.

Lorsque vous sciez, faites attention à ce que la chaîne ne touche pas de corps étrangers tel que pierres, clous et autres (fig. 8). Ils pourraient être projetés, détériorer la chaîne ou entraîner un choc de recul.



9

Pour garder la maîtrise de votre tronçonneuse, ayez toujours une position stable au sol. Ne travaillez jamais sur une échelle, dans un arbre ou sur tout autre support instable. N'utilisez jamais la tronçonneuse plus haut qu'à hauteur d'épaules (fig. 9).



10

Positionnez la chaîne de sorte que votre corps soit éloigné du dispositif de coupe lorsque le moteur tourne (fig. 10).

N'appuyez pas sur la tronçonneuse lorsque vous arrivez à la fin d'une coupe. Sous l'effet de la pression, le guide et la chaîne peuvent sauter hors de la coupe ou de l'entaille, ne plus pouvoir être contrôlés et frapper l'utilisateur ou un autre objet. Si la chaîne en mouvement heurte un objet, une force de réaction (cf. pages 39 à 41) peut faire que la chaîne heurte l'utilisateur.

Forces de réaction pendant la coupe, y compris le choc de recul

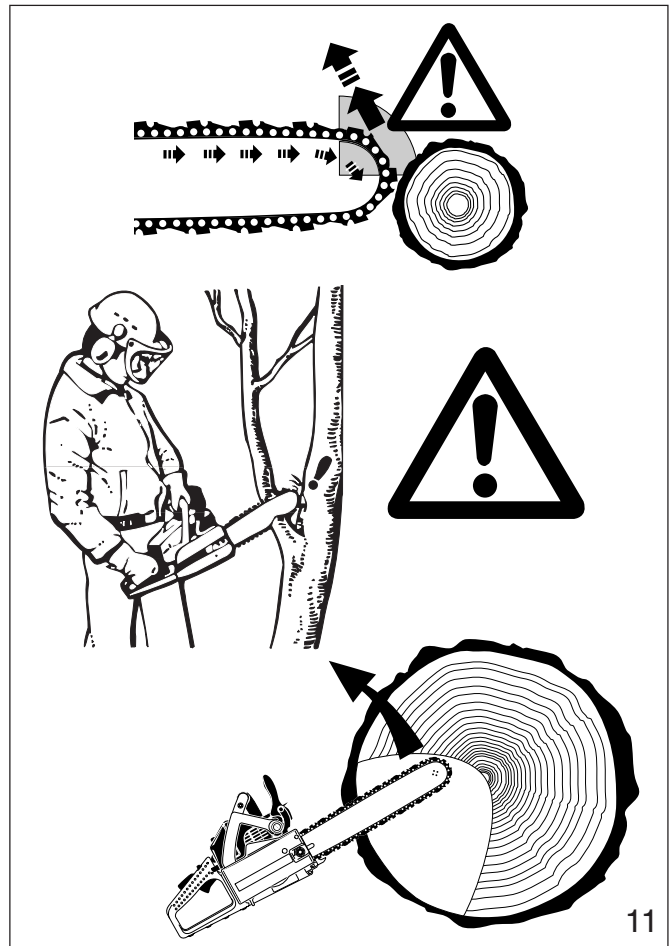
ATTENTION!

Les forces de réaction qui peuvent se produire pendant toute coupe sont le choc de recul, le recul et la traction. Les forces de réaction peuvent être dangereuses sur toutes les tronçonneuses car la puissance utilisée pour couper le bois peut être renversée et se retourner contre l'utilisateur.

Si la chaîne en mouvement est brusquement arrêtée par le contact avec tout objet solide comme un rondin ou une branche ou si elle est coincée, les forces de réaction s'exercent immédiatement. Ces forces de réaction peuvent entraîner la perte de contrôle qui, à son tour, peut être à l'origine de blessures graves ou mortelles. Comprendre les causes de ces forces de réaction peut vous aider à éviter de perdre le contrôle de votre tronçonneuse.

Les forces de réaction les plus courantes sont :

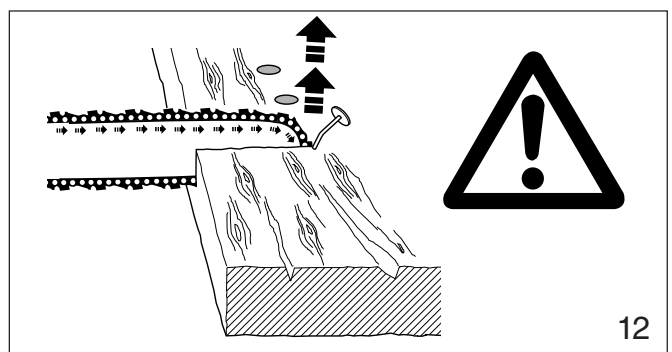
- le choc de recul
- le recul
- la traction.



11

Choc de recul (Kickback):

Le choc de recul se produit lorsque le quadrant supérieur de la pointe du guide entre en contact avec un objet dur dans le bois ou qu'il est coincé (fig. 11). La réaction de la force de coupe de la chaîne rotative entraîne une force de rotation de la tronçonneuse dans la direction opposée au mouvement de la chaîne, généralement dans le plan du guide. Ceci peut projeter de façon incontrôlée le guide qui décrit alors un arc de cercle vers l'utilisateur.



12

Cette réaction peut se produire en l'espace d'une fraction de seconde et, dans certaines circonstances, le guide et la chaîne peuvent frapper l'utilisateur avec une force suffisante pour lui occasionner des blessures graves ou mortelles. Elle peut aussi se produire pendant l'ébranchage. Elle se produit aussi lorsque la pointe du guide est coincée de façon inattendue, entre de façon inattendue en contact avec un objet solide dans le bois (fig. 12) ou est utilisée de façon incorrecte pour amorcer une plongée ou un perçage.

Plus la force de la réaction du choc de recul est forte, plus il est difficile pour l'utilisateur de contrôler la tronçonneuse.

De nombreux facteurs déterminent l'apparition et la force de la réaction de choc de recul. Le type du guide et de la chaîne utilisés jouent également un rôle dans la force de la réaction de choc de recul.

La vitesse à laquelle la chaîne entre en contact avec l'objet.

La force de choc de recul est proportionnelle à l'impact.

L'angle de contact entre la pointe du guide et le corps étranger (fig. 11).

Le choc de recul est plus marqué dans le quadrant supérieur de la pointe du guide.

Les modèles de chaîne MAKITA sont conçus pour réduire les forces de choc de recul.

Les limiteurs de profondeurs:

L'abaissement incorrect des limiteurs de profondeur augmente également le risque de choc de recul.

Affûtage des plaquettes de coupe de la chaîne:

ATTENTION!

Une chaîne émoussée ou incorrectement affûtée peut augmenter le risque de choc de recul. Ne travaillez qu'avec une chaîne correctement affûtée.

Dispositifs de réduction du risque de blessure par choc de recul.

MAKITA a mis au point un frein de chaîne spécial destiné à réduire le risque de choc de recul.

Le frein de chaîne augmente la sécurité du travail, c'est-à-dire que lorsque la chaîne remonte brusquement, la chaîne s'arrête de tourner en l'espace d'une fraction de seconde. Une protection main située sur le levier de débrayage du frein de chaîne et une poignée arrière munie d'une protection protègent en permanence les mains de l'utilisateur.

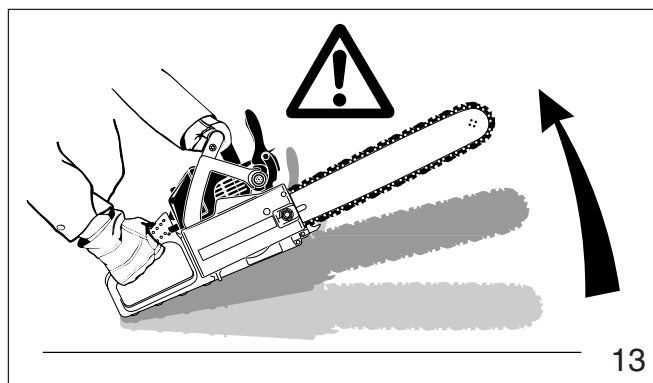
La tendance au choc de recul augmente proportionnellement au rayon ou à la taille de la pointe du guide. MAKITA a mis au point des guides avec une pointe à petit rayon qui réduisent la tendance au choc de recul.

ATTENTION!

Aucun frein de chaîne ne peut empêcher le choc de recul.

Ces freins ne sont conçus que pour arrêter la chaîne lorsqu'ils sont actionnés.

Pour garantir un fonctionnement fiable du frein de chaîne, il faut l'entretenir correctement. Par ailleurs, la distance entre l'utilisateur et le guide doit être suffisante pour que le frein de chaîne ait le temps de réagir et d'arrêter la chaîne avant un éventuel contact avec l'utilisateur.



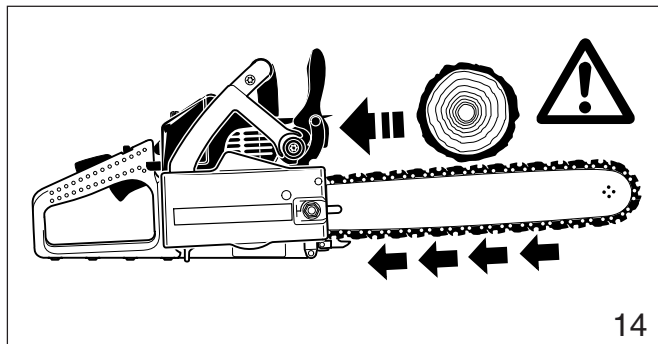
Pour éviter le choc de recul

Le meilleur moyen de se protéger contre les blessures dues au choc de recul est d'éviter les situations qui le favorisent :

1. Tenez fermement la tronçonneuse à deux mains et assurez toujours une prise ferme.
2. Sachez toujours où se trouve la pointe du guide.
3. Ne faites jamais entrer la pointe du guide en contact avec un objet quelconque. Ne coupez pas les branches avec la pointe du guide. Soyez particulièrement prudent avec les petites branches dures, les broussailles et les jeunes arbres de petites dimensions car ils peuvent facilement se prendre dans la chaîne.
4. Ne coupez pas les bras tendus.
5. Ne coupez pas au-dessus de la hauteur d'épaules.
6. Commencez la coupe et continuez plein gaz.
7. Ne coupez qu'un rondin à la fois.
8. Soyez extrêmement prudent lorsque vous rentrez dans une coupe déjà existante.
9. N'essayez pas les coupes en plongée (cf. page 42) si vous n'avez pas l'expérience de ces techniques.
10. Soyez toujours attentif à un déplacement du rondin ou aux autres forces qui pourraient fermer la coupe et coincer la chaîne.
11. Assurez un entretien correct de la chaîne. Ne travaillez qu'avec une chaîne bien affûtée et correctement tendue.
12. Tenez-vous à côté de la coupe de la tronçonneuse.

Le recul:

Le recul se produit lorsque la chaîne se trouvant sur la partie supérieure du guide est arrêtée subitement lorsqu'elle est coincée, prise ou rencontre un corps étranger dans le bois. La réaction de la chaîne pousse la tronçonneuse directement vers l'utilisateur, lui faisant perdre le contrôle de la tronçonneuse. Le recul se produit souvent lorsque l'on coupe avec la partie supérieure du guide (fig. 14).



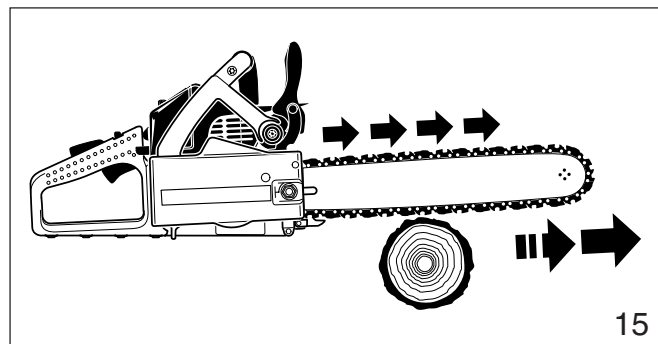
Pour éviter le recul

1. Soyez attentif aux forces ou aux situations dans lesquelles le bois peut coincer la partie supérieure de la chaîne.
2. Ne coupez pas plus d'un rondin à la fois.
3. Ne tordez pas la tronçonneuse lorsque vous retirez le guide d'une coupe en plongée ou par dessous (figures 25 à 27 et 33, pages 42 et 43) car la chaîne peut être coincée.

La traction:

La traction se produit lorsque la chaîne se trouvant sur la partie inférieure du guide est arrêtée subitement lorsqu'elle est coincée, prise ou rencontre un corps étranger dans le bois (fig. 15). La réaction de la chaîne tire la tronçonneuse vers l'avant, faisant perdre à l'utilisateur le contrôle de la tronçonneuse.

La traction se produit souvent lorsque la barre à griffe de la scie n'est pas maintenue fermement contre l'arbre ou la branche et lorsque la chaîne ne tourne pas à pleine vitesse lorsqu'elle entre en contact avec le bois.



ATTENTION!

Soyez extrêmement prudent lorsque vous coupez des broussailles et des jeunes arbres de petites dimensions car ils peuvent facilement se prendre dans la chaîne et vous tirer en vous faisant perdre l'équilibre.

Pour éviter la traction

1. Amorcez toujours une coupe avec la chaîne tournant à pleine vitesse et la barre à griffe en contact avec le bois.
2. Il est également possible d'éviter la traction en utilisant des coins en plastique pour ouvrir l'entaille ou la coupe.

Techniques de coupe

Abattage

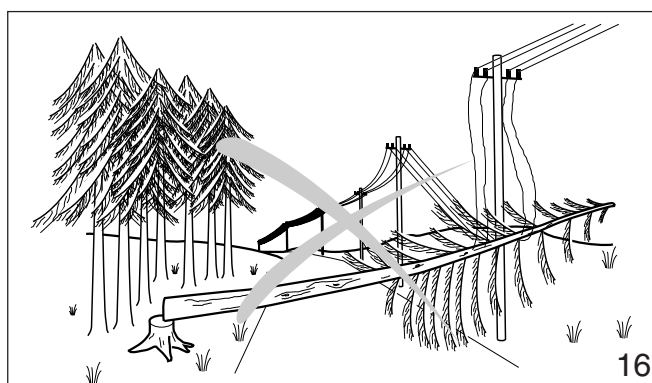
L'abattage est la coupe d'un arbre sur pied.

Avant d'abattre un arbre, prenez en considération toutes les conditions pouvant influencer le sens de la chute, à savoir:

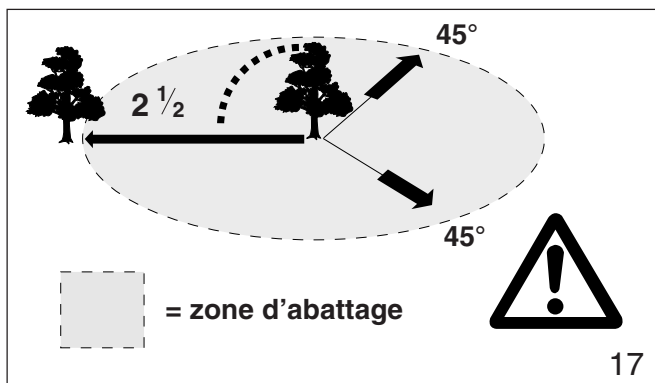
le sens voulu de la chute,
l'inclinaison normale de l'arbre,
une structure de branchages particulièrement marquée,
les arbres et obstacles environnants,
la direction et la vitesse du vent.

ATTENTION!

Examinez toujours l'état général de l'arbre. Cherchez les traces de pourriture dans le tronc. S'il est pourri à l'intérieur, il peut se rompre et tomber sur l'utilisateur pendant la coupe. Cherchez aussi les branches cassées ou mortes qui pourraient être détachées par les vibrations et tomber sur l'utilisateur. En cas d'abattage en terrain incliné, l'utilisateur doit se trouver au-dessus de l'arbre.



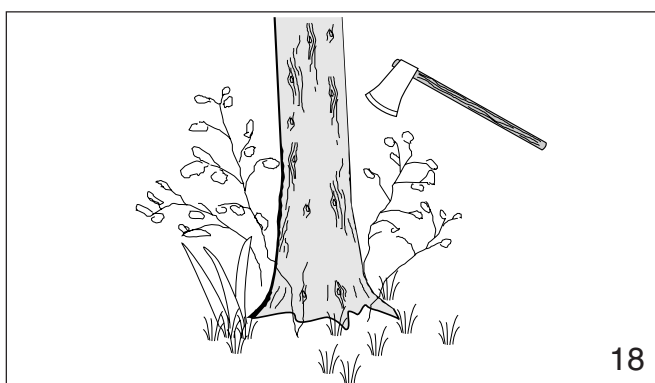
En cas d'abattage à proximité de routes, de voies ferrées et de lignes électriques, etc., prenez des précautions supplémentaires (cf. fig. 16). Informez la police, la régie d'électricité ou la compagnie de chemin de fer avant de commencer le travail.



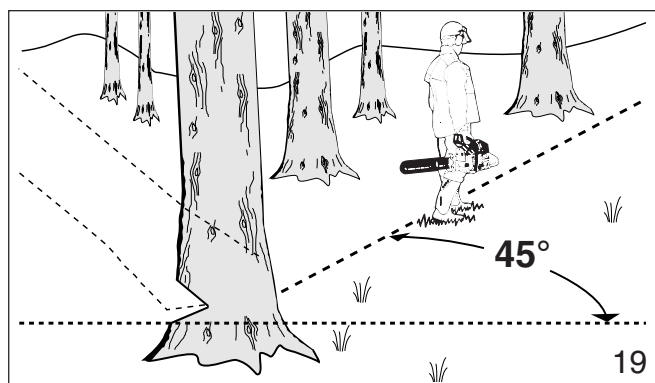
Lors de l'abattage, respectez une distance d'au moins 2 fois et demi la hauteur de l'arbre entre l'arbre et la personne la plus proche (cf. fig. 17).

Remarque: Tout avertissement peut être couvert par le bruit de votre moteur.

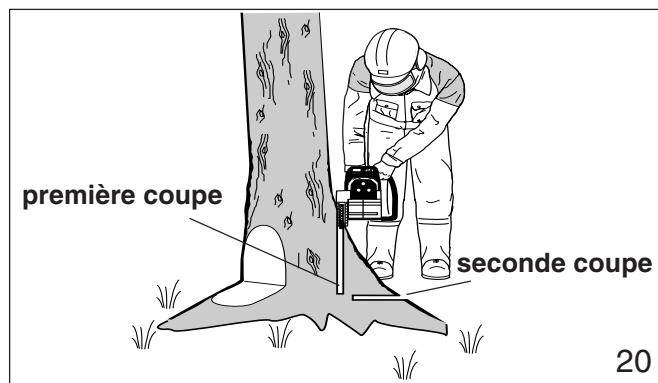
Instructions d'abattage:



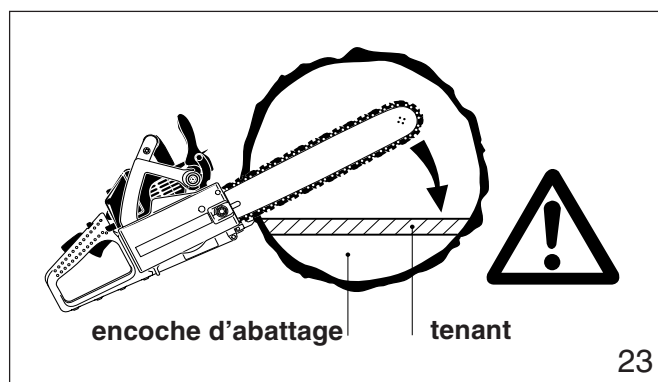
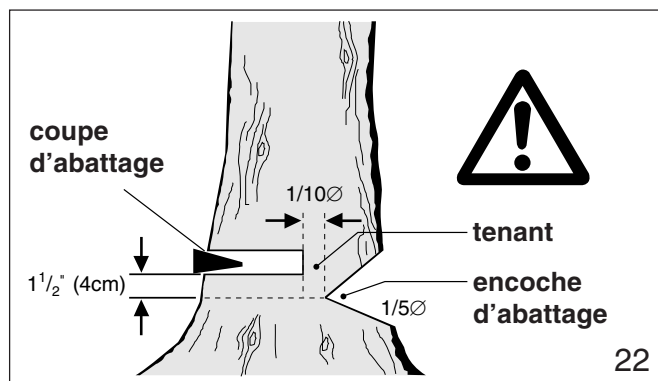
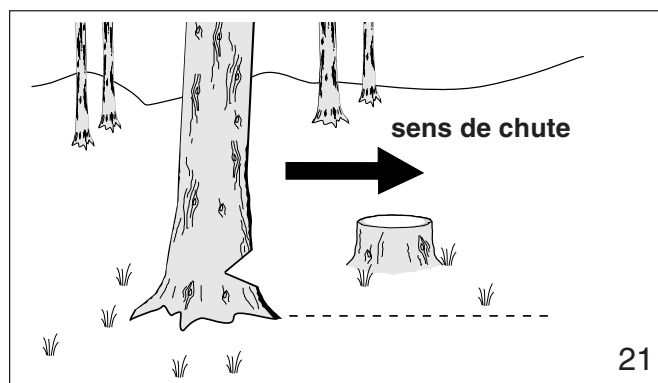
Dégagez dans un premier temps la base de l'arbre et la zone de travail des branches et broussailles gênantes et nettoyez la partie inférieure de l'arbre à la hache (cf. fig. 18).



Etablissez ensuite une voie de repli et dégagez-la de tous les obstacles. Cette voie doit être opposée à la direction prévue de la chute de l'arbre et avoir un angle de 45° (fig. 19). Il faut aussi choisir une seconde voie. Placez tous les outils et l'ensemble du matériel en sécurité à une distance suffisante de l'arbre mais pas sur la voie de repli.



Si l'arbre a de grosses racines latérales, coupez dans les plus grandes racines, d'abord verticalement puis horizontalement et enlevez le morceau ainsi découpé (fig. 20).



Déterminez ensuite l'emplacement de l'encoche d'abattage („camembert“) (fig. 21). Lorsqu'elle est correctement positionnée, l'encoche d'abattage détermine dans quelle direction l'arbre va tomber. Elle doit être pratiquée perpendiculairement à la ligne de chute aussi près que possible du sol. Coupez l'encoche d'abattage à une profondeur comprise entre un tiers et un quart du diamètre de l'arbre (fig. 22). Elle ne doit jamais être plus haute que profonde. Pratiquez l'encoche d'abattage avec grand soin.

Amorcez la coupe d'abattage légèrement plus haut que l'encoche d'abattage sur le côté opposé de l'arbre (fig. 22). Coupez ensuite horizontalement dans la direction de l'encoche d'abattage. Appliquez la tronçonneuse avec ses griffes directement derrière la partie de bois non coupée et coupez en direction de l'encoche d'abattage (fig. 23). Laissez une portion non coupée égale à environ 1/10 du diamètre de l'arbre. Cette portion constitue le tenant (fig. 23). Ne coupez pas le tenant car vous ne pourriez plus contrôler la direction de la chute. Si nécessaire, enfoncez des coins dans la coupe d'abattage pour contrôler le sens de la chute. Les coins doivent être en bois, en métal léger ou en plastique mais jamais en acier, car ils peuvent entraîner une réaction de choc de recul et détériorer la chaîne.

Restez toujours sur le côté de l'arbre qui s'abat. Lorsque l'arbre commence à s'abattre, coupez le moteur, retirez le guide et éloignez-vous sur la voie de repli que vous avez préparée. Faites attention aux chutes de branches.

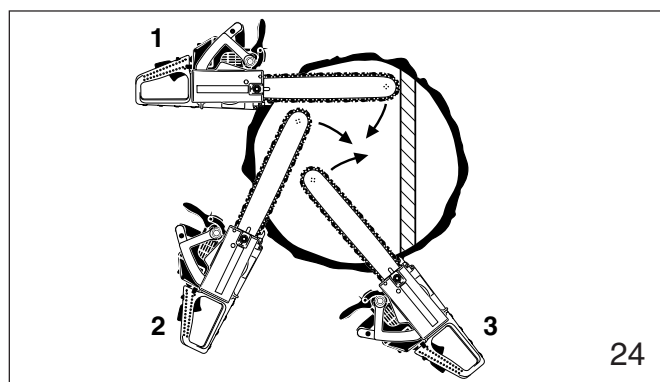
ATTENTION!

Soyez extrêmement prudent avec les arbres partiellement abattus qui ont un soutien médiocre. Si l'arbre reste en suspens ou si pour une raison ou une autre il ne tombe pas complètement, posez la tronçonneuse de côté et tirez l'arbre à l'aide d'un treuil à câble, d'un palan ou d'un tracteur. Si vous essayez de l'abattre complètement en le coupant à la tronçonneuse, vous risquez de vous blesser.

Méthode de sectionnement

ATTENTION!

Pour abattre un arbre dont le diamètre est supérieur à la longueur du guide, il faut utiliser la méthode de sectionnement ou de coupe en plongée. Ces méthodes sont extrêmement dangereuses car elles utilisent la pointe du guide et peuvent entraîner des réactions de choc de recul. Ces techniques ne doivent être utilisées que par des professionnels ayant reçu une formation appropriée.

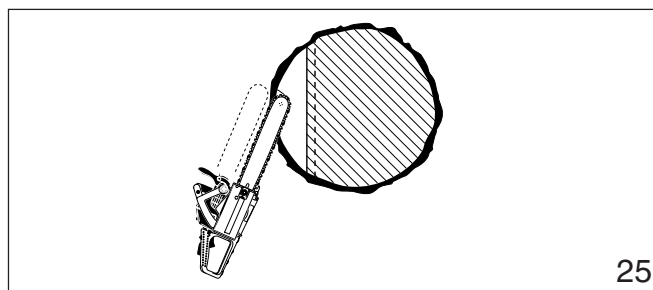


Pour la méthode de sectionnement (fig. 24), pratiquez la première coupe en faisant pivoter le guide vers le tenant. Ensuite, en utilisant la griffe du butoir comme un pivot, repositionnez la tronçonneuse pour la coupe suivante. Évitez de repositionner la tronçonneuse plus que c'est

nécessaire. Lorsque vous repositionnez la tronçonneuse pour la coupe suivante, maintenez le guide complètement engagé dans l'encoche pour que la coupe d'abattage soit droite. Si la tronçonneuse commence à se coincer, enfoncez un coin pour ouvrir la coupe. A la dernière coupe, ne coupez pas le tenant.

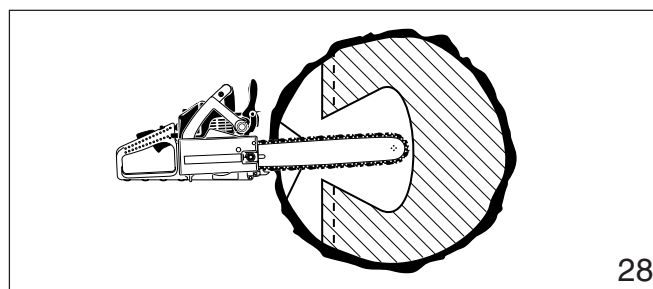
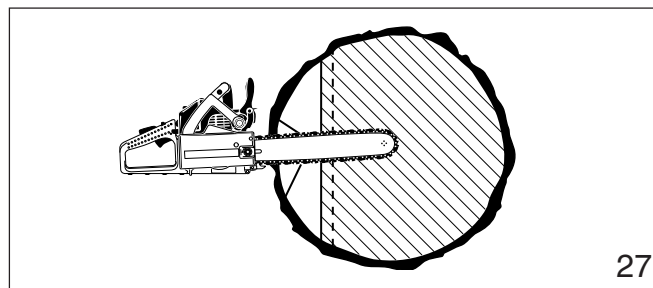
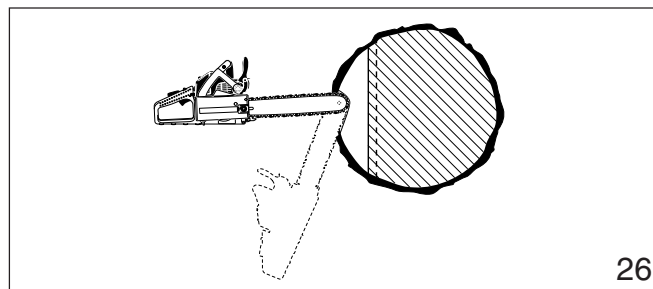
Méthode de coupe en plongée

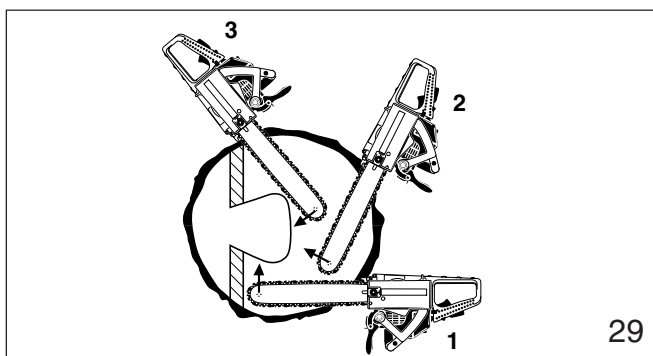
Les arbres d'un diamètre supérieur à deux fois la longueur du guide nécessitent de mettre en oeuvre la méthode de coupe en plongée avant de faire la coupe d'abattage. Dans un premier temps, coupez une encoche d'abattage grande et large. Faites une coupe en plongée au centre de l'encoche. On procède à la coupe en plongée avec la pointe du guide. Commencez la coupe en plongée en appliquant la partie inférieure de la pointe du guide sur l'arbre selon un angle (fig. 25). Coupez jusqu'à ce que la profondeur de l'encoche soit à peu près égale à la largeur du guide (fig. 26). Ensuite, orientez la scie dans la direction de l'endroit où l'évidement doit être creusé.



Mettez les gaz à fond et introduisez le guide dans le tronc (fig. 27).

Agrandissez la coupe en plongée comme indiqué sur l'illustration (fig. 28).





29

ATTENTION!

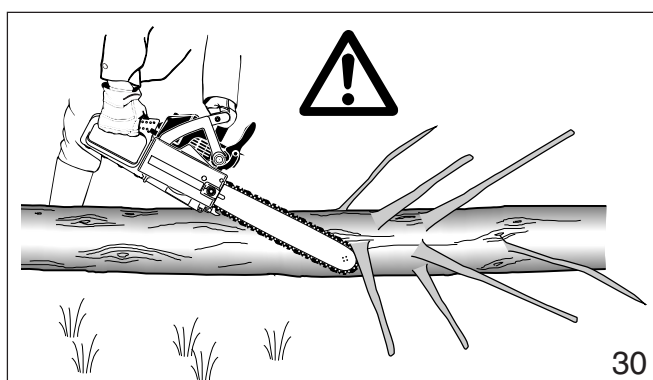
A ce point, il y a un très grand danger de choc de recul. Il faut être extrêmement prudent pour garder le contrôle de la tronçonneuse. Pour faire la coupe d'abattage, suivez la méthode de sectionnement décrite précédemment (fig. 29). Si vous n'avez pas l'expérience du travail avec une tronçonneuse, n'essayez pas de faire de coupe en plongée. Demandez l'assistance d'un professionnel.

Ebranchage

L'ébranchage consiste à couper les branches d'un arbre abattu.

ATTENTION!

Le risque de choc de recul est très grand pendant l'ébranchage. Ne travaillez pas avec la pointe du guide. Soyez extrêmement prudent et évitez tout contact entre la pointe du guide et le tronc ou les branches. Ne montez pas sur le tronc que vous êtes en train d'ébrancher car il pourrait rouler ou vous pourriez glisser.



30

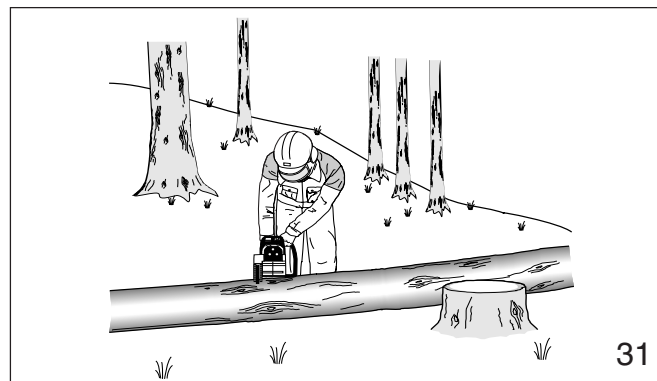
Commencez l'ébranchage en laissant les branches inférieures pour maintenir le tronc à une certaine distance du sol (fig. 30). Ne coupez pas les branches pendantes par dessous. La tronçonneuse pourrait être coincée ou la branche pourrait tomber, vous faisant perdre le contrôle de la tronçonneuse. Si le guide est coincé, arrêtez le moteur et retirez la tronçonneuse en soulevant la branche.

ATTENTION!

Soyez extrêmement prudent lorsque vous coupez des branches qui forcent. Les branches peuvent sauter vers l'utilisateur et entraîner une perte de contrôle de la tronçonneuse ou blesser l'utilisateur.

Débitage

Le débitage consiste à découper un rondin en plusieurs morceaux.



31

ATTENTION!

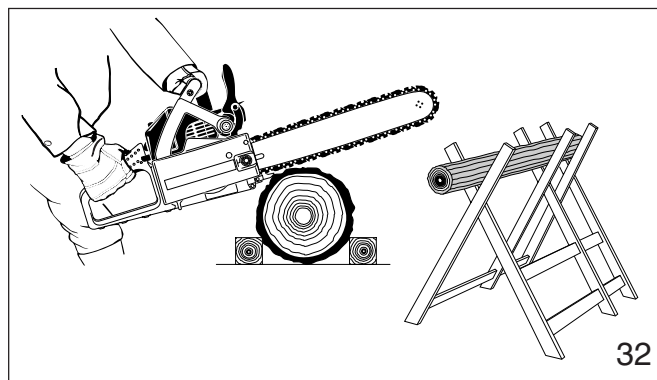
1. Ne montez pas sur le rondin que vous êtes en train de débiter. Assurez-vous que le rondin ne peut pas descendre la pente. En cas de débitage en terrain incliné, l'utilisateur doit se trouver au-dessus du rondin (cf. fig. 31). Faites attention aux rondins qui roulent.

ATTENTION!

2. Ne coupez qu'un rondin à la fois.

ATTENTION!

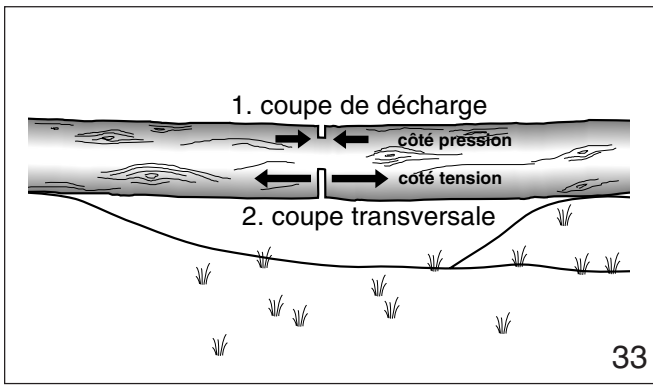
3. Il faut être très prudent pour couper le bois en éclats car des échardes acérées peuvent être entraînées par la tronçonneuse et projetées vers l'utilisateur.



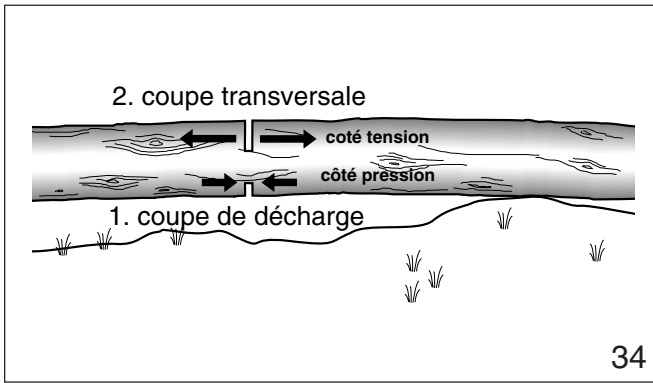
32

ATTENTION!

4. Pour couper les petits rondins, utilisez un chevalet (fig. 32). Empêchez toute autre personne de tenir le rondin. Ne maintenez jamais le rondin avec la jambe ou le pied.



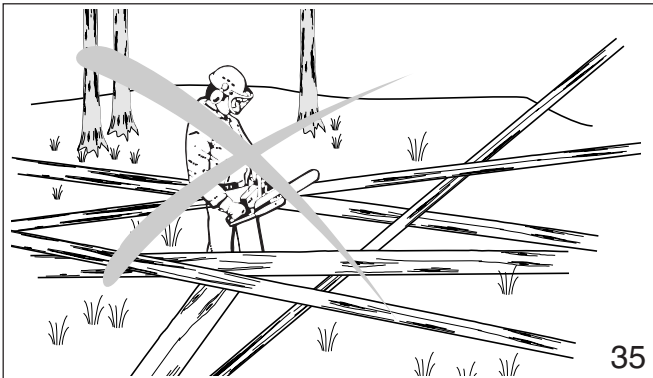
33



34

ATTENTION!

5. Lorsque vous coupez des rondins qui forcent, il faut être extrêmement prudent pour éviter que la tronçonneuse soit coincée. La première coupe est pratiquée sur le côté comprimé pour soulager la tension du rondin (cf. fig 33, 34). On procède ensuite à la coupe de débitage de la façon indiquée. Si la tronçonneuse est coincée, arrêtez le moteur et retirez-la du rondin.



35

ATTENTION!

6. Le travail dans une zone où les rondins, les branches et les racines sont enchevêtrés (p.ex. dans une zone où les arbres ont été abattus par le vent, fig. 35) ne doit être fait que par des professionnels ayant reçu une formation appropriée. Le travail dans une zone où les arbres ont été abattus par le vent est très dangereux.

ATTENTION!

7. Amenez les rondins dans une zone dégagée avant de commencer le débitage. Tirez d'abord les rondins exposés et dégagés.

Entretien et réparation

N'utilisez jamais une tronçonneuse endommagée, incorrectement réglée ou incomplètement ou incorrectement assemblée. Respectez les instructions d'entretien et de réparation du chapitre correspondant du présent mode d'emploi.

ATTENTION!

Avant de commencer toute opération d'entretien, de réparation ou de nettoyage de la tronçonneuse, il faut toujours arrêter le moteur et s'assurer que la chaîne est arrêtée. Ne procédez pas à des opérations d'entretien ou de réparation qui ne figurent pas dans ce mode d'emploi. Confiez-les uniquement à votre agence technique MAKITA.

Entretien et stockage de la tronçonneuse

Maintenez la chaîne, le guide et le pignon propres et lubrifiés ; changez les chaînes et les pignons usés.

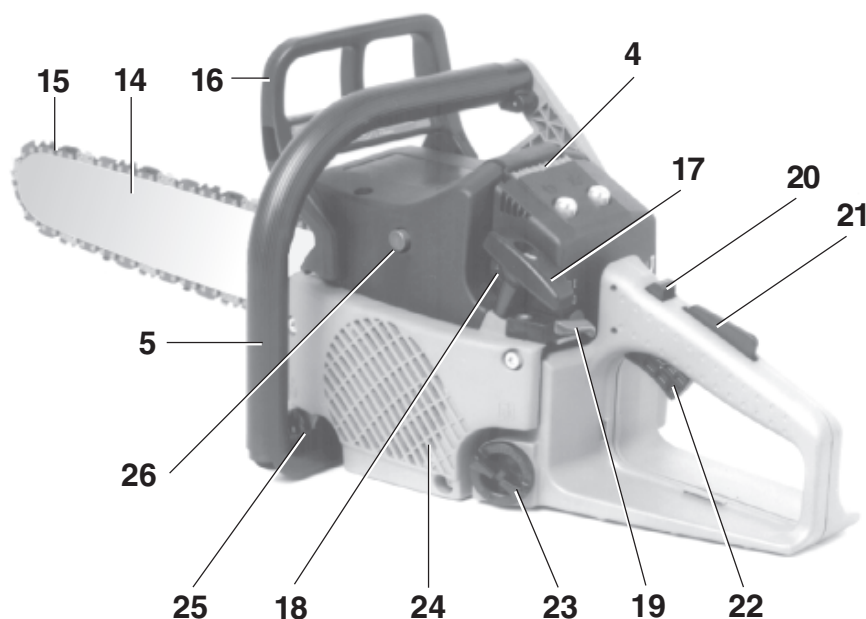
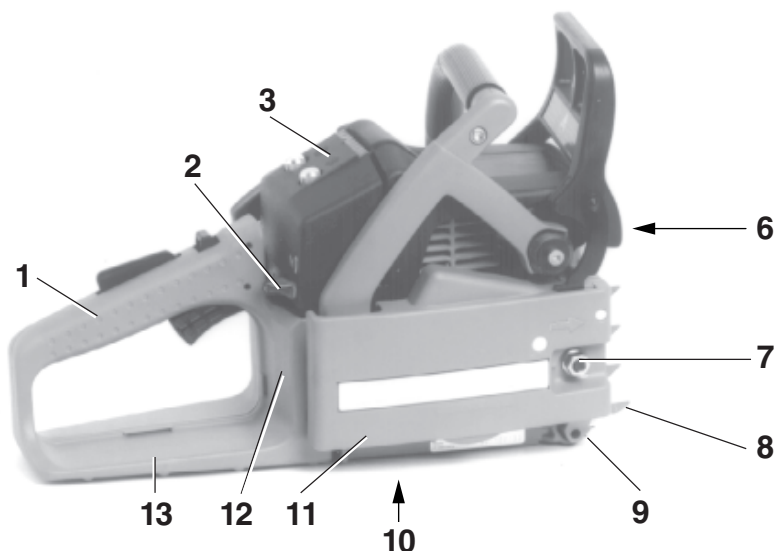
La chaîne doit toujours être correctement affûtée. On reconnaît que la chaîne est émoussée au fait que le bois tendre est difficile à couper et que des traces de brûlure apparaissent sur le bois.

Assurez-vous que la chaîne est toujours correctement tendue. Après chaque utilisation, resserrez tous les écrous, boulons et vis à l'exception des vis de réglage du carburateur.

Assurez-vous que la bougie et le câble d'allumage sont toujours propres et bien fixés.

Conservez les tronçonneuses en hauteur ou sous clé hors de portée des enfants.

Désignation des pièces



Plaque signalétique

(échantillon pour modèle DCS 401)



— Modèle
— No. de série

à indiquer lors de commande de pièces de rechange!

- | | |
|--|---|
| 1 Poignée | 14 Rail-guide de la chaîne de la scie |
| 2 Choke (étrangleur) | 15 Chaîne de sciage |
| 3 Couvercle du filtre | 16 Protège-main |
| 4 L'insert pour service normal/service hiver | 17 Poignée de lancement |
| 5 Poignée-étrier | 18 Vis de réglage „speed-H-L“ pour le carburateur |
| 6 Silencieux | 19 Commutateur I/STOP |
| 7 Ecrous de fixation | 20 Bouton de blocage pour mi-gaz |
| 8 Rive dentée (Butée à griffe pour maintenir fermement la tronçonneuse contre le bois) | 21 Touche de verrouillage de sécurité |
| 9 Arrête chaîne | 22 Levier de gaz |
| 10 Automatique pompe à huile (face inférieure) | 23 Bouchon de fermeture du réservoir carburant |
| 11 Protection roue à chaîne | 24 Carter ventilateur avec dispositif de lancement |
| 12 Plaque signalétique | 25 Bouchon de fermeture du réservoir huile |
| 13 Protège-main | 26 Soupape de mise en marche
(seulement pour DCS 341 et DCS 401) |

Caractéristiques techniques	DCS 340	DCS 341	DCS 400	DCS 401
Monocylindre à deux temps				
Cylindrée	2.0 cu. in (33 cm ³)	2.0 cu. in (33 cm ³)	2.4 cu. in (39 cm ³)	2.4 cu. in (39 cm ³)
Alésage	1.45" (37 mm)	1.45" (37 mm)	1.57" (40 mm)	1.57" (40 mm)
Course	1.22" (31 mm)	1.22" (31 mm)	1.22" (31 mm)	1.22" (31 mm)
Puissance maxi/régime	1.4/9,000 kW/min. ⁻¹	1.4/9,000 kW/min. ⁻¹	1.7/9,000 kW/min. ⁻¹	1.7/9,000 kW/min. ⁻¹
Couple maxi/régime	1.7/6,500 Nm/min. ⁻¹	1.7/6,500 Nm/min. ⁻¹	2.0/6,500 Nm/min. ⁻¹	2.0/6,500 Nm/min. ⁻¹
Ralenti	2,600 min. ⁻¹	2,600 min. ⁻¹	2,600 min. ⁻¹	2,600 min. ⁻¹
Allumage				
Electronique, sans rupteur				
Bougie ou bougie	NGK BPMR 6F	NGK BPMR 6F	NGK BPMR 6F	NGK BPMR 6F
Ecartement des électrodes	Champion RDJ-7Y .020" (0.5 mm)	Champion RDJ-7Y .020" (0.5 mm)	Champion RDJ-7Y .020" (0.5 mm)	Champion RDJ-7Y .020" (0.5 mm)
Système de carburant				
Carburateur (pour le Canada)	WALBRO WT 174	WALBRO WT 174	WALBRO WT 174	WALBRO WT 174
Carburateur (pour les Etats-Unis)	WALBRO WT 466	WALBRO WT 466	WALBRO WT 466	WALBRO WT 466
(tous les modèles ont un carburateur à membrane à pompe à carburant intégrée)				
Filtre à air	Robkoflok	Robkoflok	Robkoflok	Robkoflok
Contenance du réservoir à carburant		cf. chapitre "Carburant"		
Mélange 2 temps				
Poids				
sans dispositif de coupe	8 lbs. 9 oz. (3.9 kg)	8 lbs. 9 oz. (3.9 kg)	8 lbs. 13 oz. (4.0 kg)	8 lbs. 13 oz. (4.0 kg)
Dispositif de coupe		Pointe de guide à pignon		
Rail-guide				
Longueur de coupe	12" (30 cm)	12" (30 cm)	12" (30 cm)	12" (30 cm)
	14" (35 cm)	14" (35 cm)	14" (35 cm)	14" (35 cm)
	16" (40 cm)	16" (40 cm)	16" (40 cm)	16" (40 cm)
Chaîne de sécurité au pas de 3/8"	(528 092 ...)	(528 092 ...)	(528 092 ...)	(528 092 ...)
Epaisseur du chaînon moteur .050"	X	X	X	X
Pignon de chaîne à 6 dents	(028 223 310)	(028 223 310)	(028 223 310)	(028 223 310)
Lubrification de la chaîne		Pompe à huile entièrement automatique		
Contenance du réservoir d'huile	7.1 oz. (0.21 l)	7.1 oz. (0.21 l)	7.1 oz. (0.21 l)	7.1 oz. (0.21 l)

Combinaisons autorisées de guides et de chaînes

„Une chaîne de tronçonneuse à faible choc de recul est une chaîne qui est en conformité avec les exigences de choc de recul de la norme ANSI B 175.1-1991 (Norme nationale américaine relative aux exigences de sécurité pour l'outillage à moteur - tronçonneuses thermiques) lorsqu'elle a été testée sur l'échantillon représentatif de tronçonneuses de moins de 3.8. pouces cubes de cylindrée spécifié dans ANSI B 175.1-1991“.

Les combinaisons autorisées de guides et de chaînes sont des chaînes à faible choc de recul selon ANSI B 175.1-1991 et elles sont également en conformité avec la norme CSA Z62.3-96 pour les chaînes des tronçonneuses de cylindrée inférieure à 80 cm³.

Les tronçonneuses DCS 340, DCS 341, DCS 400 et DCS 401 ont été agréées pour les combinaisons suivantes de guide et de chaîne:

	Guide 3/8"	Chaîne 3/8"
Longueur	Référence	Référence
12" (30 cm)	442 030 661	528 092 646
14" (35 cm)	442 035 661	528 092 652
16" (40 cm)	442 040 661	528 092 656

„Il peut y avoir d'autres combinaisons disponibles de guide et de chaîne de rechange qui réduisent aussi le risque de blessure par choc de recul“.

ATTENTION!

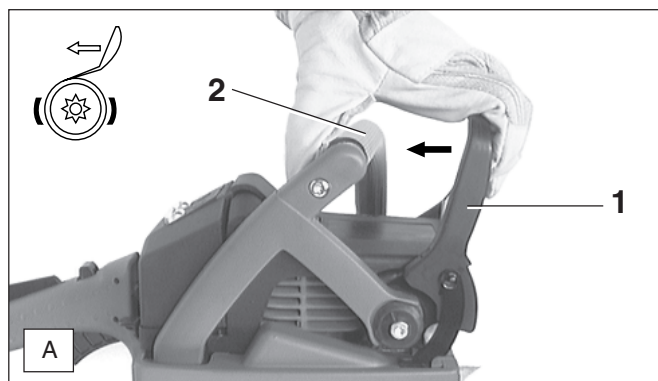
N'utilisez pas d'autres guides et chaînes de rechange s'ils n'ont pas été reconnus conformes aux exigences de choc de recul des normes ANSI B 175.1-1991 (pour les Etats-Unis) et CSA Z62.3-96 (pour le Canada) sur cette puissance spécifique ou s'ils ont été reconnus à „faible choc de recul“ conformément aux normes ANSI B 175.1-1991 (pour les Etats-Unis) et CSA Z62.3-96 (pour le Canada).

MISE EN ROUTE

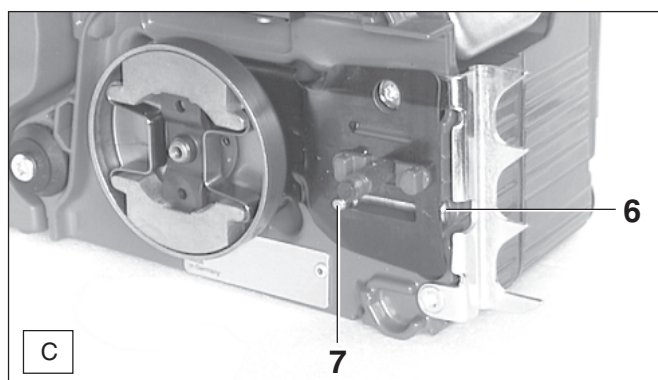
Montage du rail-guide et de la chaîne de sciage

Utiliser la clé combinée livrée avec la machine pour les travaux suivants.

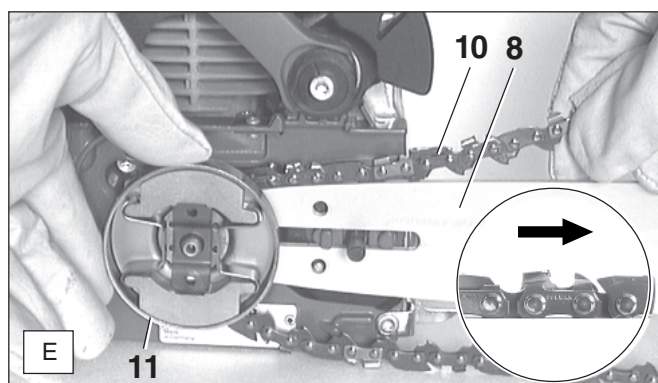
Placer la tronçonneuse sur un support stable et exécuter les opérations suivantes pour le montage de la chaîne de sciage et du rail-guide de la chaîne.



- Desserrer le frein de chaîne. Pour cela, tirer le protège-main (A/1) en direction de la poignée-étrier (A/2) jusqu'à ce qu'il s'enclenche vraiment.



- Tourner la vis de serrage de la chaîne (C/6) dans le sens contraire des aiguilles d'une montre jusqu'à ce que le tourillon (C/7) se trouve face à la butée de gauche.

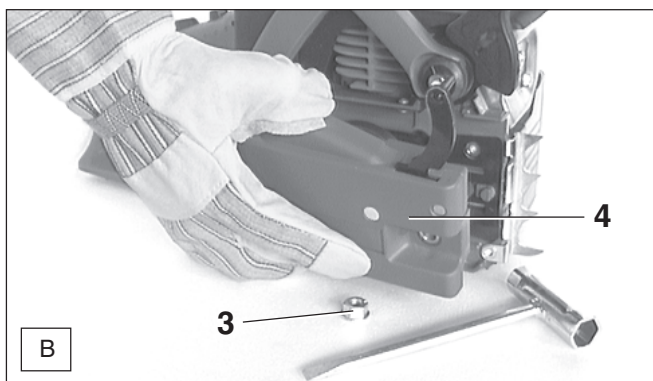


- Soulever la chaîne de sciage (E/10) au-dessus du tambour d'accouplement et la placer sur la roue à chaîne (E/11). Introduire avec la main droite la chaîne de sciage dans la rainure de guidage supérieure du rail-guide de la chaîne (E/8). Les arêtes coupantes de la chaîne de sciage doivent être dirigées dans le sens de la flèche sur la partie supérieure du rail-guide!

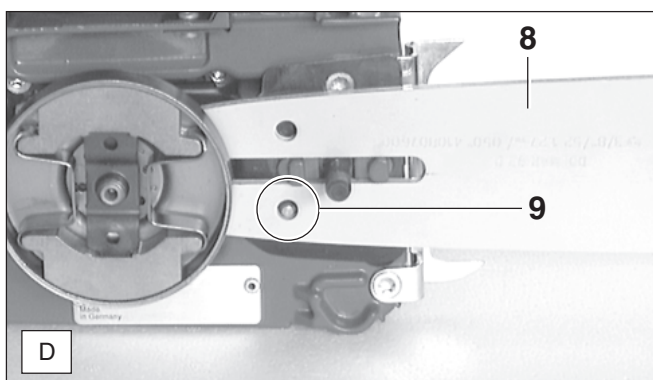


ATTENTION: Pour tous travaux effectués sur le rail-guide de la chaîne de sciage, le moteur doit être impérativement arrêté et la fiche de bougie doit être enlevée (voir paragraphe pour le remplacement de la bougie) et le port de gants de protection est obligatoire!

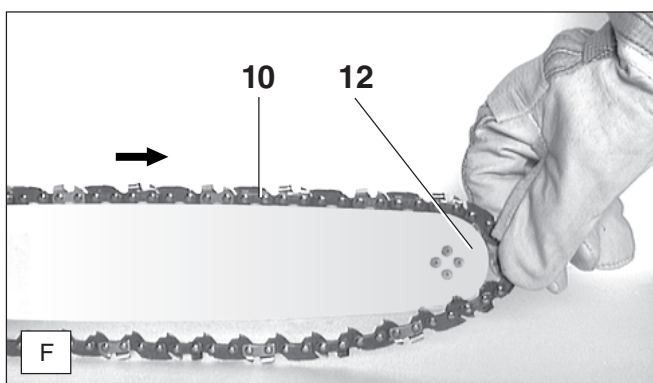
ATTENTION: La tronçonneuse ne peut être démarrée qu'après le montage complet et le contrôle effectué!



- Dévisser l'écrou de fixation (B/3).
- Retirer la protection de la roue à chaîne (B/4).



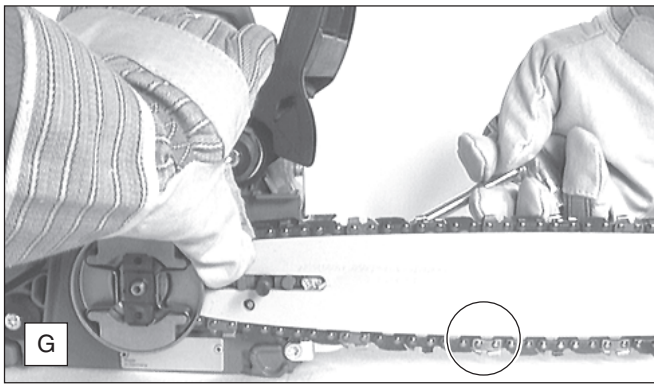
- Monter le rail-guide de la chaîne (D/8). Veillez à ce que le tourillon (D/9) du tendeur de la chaîne pénètre dans le trou (voir cercle) du rail-guide de la chaîne.



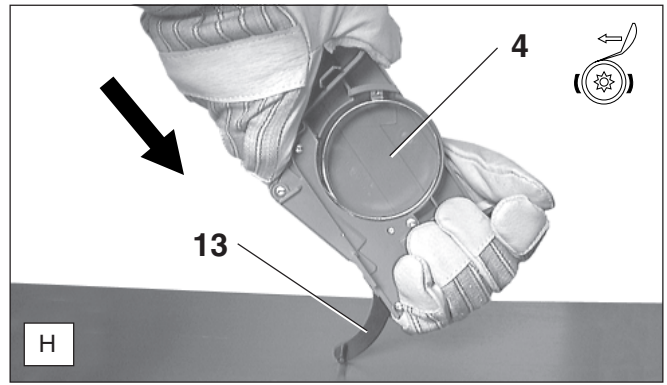
- Guider la chaîne de sciage (F/10) autour de l'étoile de renvoi (F/12) du rail-guide de la chaîne.

REMARQUE :

La chaîne de sciage se laisse facilement tirer dans la direction de la flèche. Le tambour d'accouplement (E/11) tourne en même temps (chaîne de sciage s'enfile dans la roue à chaîne).



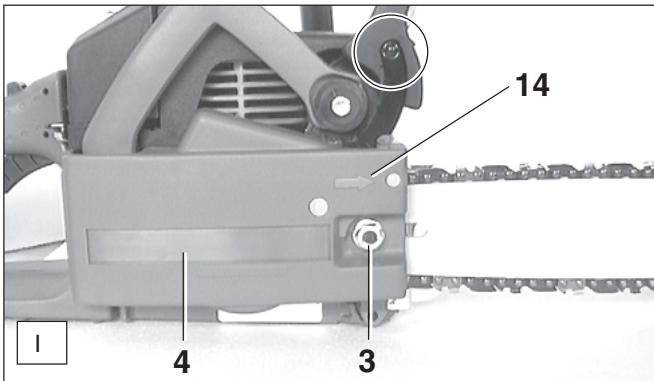
- Tourner le tendeur de chaîne (C/6) vers la droite (sens des aiguilles d'une montre) jusqu'à ce que la chaîne de sciage s'enfile dans la rainure de guidage de la face inférieure du rail-guide (voir cercle). Appuyer avec la main gauche le rail-guide de la chaîne sur le carter.



REMARQUE :

Si le frein de chaîne de la protection de roue à chaîne démontée a été enclenché, il doit être resserré avant le montage de la protection de roue à chaîne.

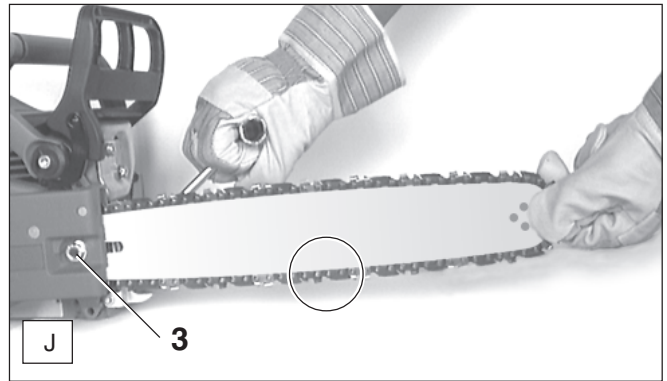
- Tenir à deux mains la protection de roue à chaîne (H/4) dans le sens de la flèche, comme le montre la photo H, et l'appuyer contre un support dur (par exemple une planche) jusqu'à ce que le levier d'arrêt (H/13) s'enclenche.



- Remettre la protection de la roue à chaîne (I/4), conduire l'écrou sur le levier d'arrêt dans le logement sur le protège-main (voir cercle).
- Serrer les écrous de fixation (I/3) à la main.

REMARQUE :

La flèche (I/14) sur la protection de la roue à chaîne indique le sens de rotation de la chaîne de sciage.



Tendre la chaîne de sciage

- Relever légèrement la pointe du rail-guide de la chaîne de sciage et tourner la vis de tension de la chaîne (C/6) vers la droite (dans le sens des aiguilles d'une montre) jusqu'à ce que la chaîne s'applique sur la face inférieure du rail (voir cercle).
- Continuer à relever la pointe du rail-guide et bloquer les écrous de fixation (J/3) avec la clé combinée.

Contrôle de la tension de la chaîne

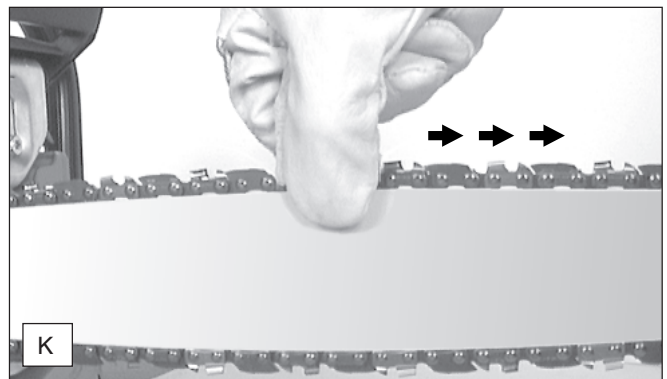


- Une tension correcte de la chaîne est réalisée lorsque la chaîne s'applique sur le rail inférieur et qu'elle peut encore être légèrement écartée du rail-guide à la main.
- Ce faisant, le frein de la chaîne doit être libéré.
- Contrôler fréquemment la tension de la chaîne, les chaînes neuves ayant tendance à s'allonger !
- Par conséquent, vérifier souvent la tension de la chaîne le moteur étant arrêté.

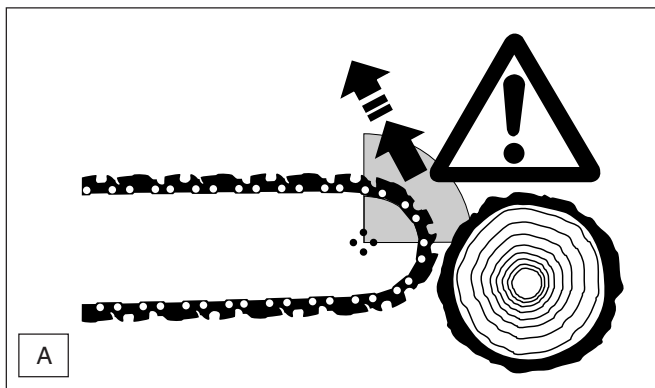
REMARQUE:

Vérifiez souvent la tension de la chaîne, les chaînes ont tendance à s'allonger pendant l'utilisation. Si vous négligez de la faire, la chaîne risque de sauter du guide. Il est conseillé d'utiliser 2 ou 3 chaînes en alternance.

Pour atteindre une usure régulière des rails, on devra retourner le rail-guide de la chaîne lors du changement de la chaîne.

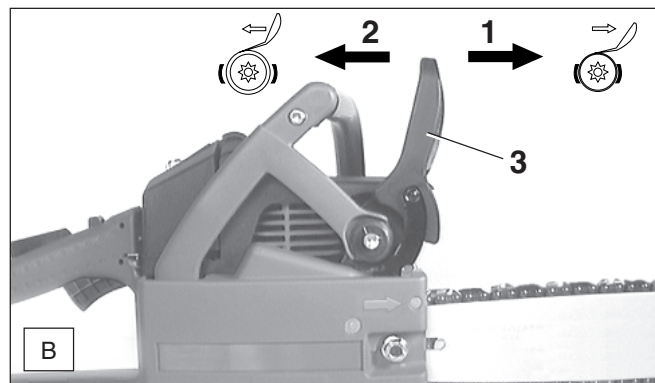


Frein de chaîne



La tronçonneuse DCS 340/ 341/ 400/ 401 est équipée en série d'un frein de chaîne à déclenchement d'accélération. En cas d'un choc de recul (kickback), pouvant se produire en heurtant par inadvertance la pointe du rail-guide de la chaîne sur le bois (voir chapitre „INSTRUCTIONS DE SÉCURITÉ“ page 38, le frein de chaîne est automatiquement enclenché si le choc de recul est suffisamment fort. La chaîne de sciage est interrompue pendant une fraction de seconde.

Le frein de chaîne n'est prévue que pour des cas d'urgence et pour le blocage de la chaîne avant le démarrage.



Enclencher le frein de chaîne (bloquer)

Lors d'un choc de recul, la rapide accélération du rail-guide de la chaîne et l'inertie de la masse du protège-main (B/3) provoquent l'enclenchement **automatique** du frein de chaîne.

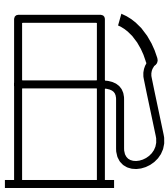
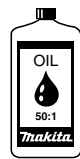
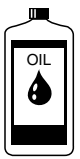
Lors d'un enclenchement **manuel**, le protège-main (B/3) est poussé par la main gauche en direction de la pointe du rail-guide de la chaîne (flèche 1).

Libérer le frein à main

Tirer le protège-main (B/3) en direction de la poignée en étrier (flèche 2) jusqu'à son enclenchement. Le frein est libéré.

Carburants/ravitaillement



Carburant	50:1 huile MAKITA	40:1 autre huile
		
1.0 Us-gal. (3.7 l)	2.5 floz. (75 cm ³)	3.2 floz. (94 cm ³)
2.5 Us-gal. (9.4 l)	6.4 floz. (189 cm ³)	8.0 floz. (236 cm ³)
5.0 Us-gal. (18.9 l)	12.8 floz. (378 cm ³)	16.0 floz. (473 cm ³)

Mélange carburant

Le moteur de la tronçonneuse est un moteur thermique à deux temps de haute performance. Ce moteur est alimenté par un mélange de carburant et d'huile moteur deux temps.

La conception du moteur a été réalisé pour fonctionner à l'essence normal sans plomb avec un degré d'octane minimum de 91 ROZ. Si un tel type de carburant n'était pas disponible, on peut aussi utiliser un carburant d'un degré d'octane plus élevé. Le moteur n'en subit aucun dommage.

Pour un fonctionnement optimal, ainsi que pour la protection de la santé et de l'environnement, utilisez toujours un carburant sans plomb. Il ne faut pas utiliser d'essence contenant de l'alcool avec les produits MAKITA .

Le graissage du moteur est réalisé par une huile moteur à deux temps (échelle de qualité TC-3) qui est additionnée au carburant. En usine le moteur a été réglé pour l'huile moteur deux temps très performante de MAKITA avec un rapport de mélange de 50:1. Ceci garantit une longue durée de vie et un fonctionnement fiable avec un très faible dégagement de fumées du moteur. L'huile deux temps de haute performance MAKITA peut être livrée selon les besoins dans des bidons aux contenances suivantes:

1 l	N° de commande	980 008 607
100 l	N° de commande	980 008 606

Au cas où on ne dispose pas d'huile deux temps de haute performance MAKITA, il faut absolument respecter avec une autre huile un rapport de mélange de 40:1, car autrement le fonctionnement parfait du moteur ne peut être garanti.

Réalisation du rapport correct du mélange

50:1 En utilisant l'huile deux temps de haute performance MAKITA, ceci signifie mélanger 50 parties d'essence avec une partie d'huile

40:1 En utilisant une autre huile moteur deux temps, ceci signifie mélanger 40 parties d'essence avec une partie d'huile

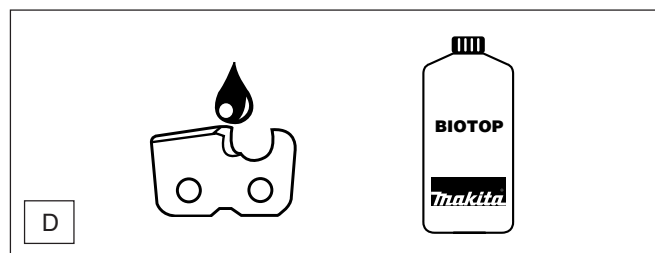
REMARQUE:

Pour fabriquer le mélange essence-huile, il faut toujours mélanger préalablement le volume d'huile prévu dans la moitié du volume d'essence, puis y ajouter le volume d'essence restant. Avant de remplir la tronçonneuse avec le mélange, bien secouer le mélange terminé.

Il n'est pas raisonnable que par excès de conscience de sécurité d'augmenter la part d'huile au delà du rapport indiqué du mélange, le résultat serait plus de résidus de combustion ce qui polluerait l'environnement et boucherait la sortie d'échappement dans le cylindre, ainsi que le silencieux. En outre, la consommation de carburant augmenterait et la puissance diminuerait.

REMARQUE:

Les carburants ne peuvent pas être stockés infiniment. N'acheter que la quantité nécessaire couvrant un temps de marche prévisible. Ne transporter et ne stocker le carburant et l'huile de chaîne que dans des nourrices agréées et portant les indications nécessaires.



Huile de chaîne de sciage

Pour le graissage de la chaîne de sciage et du rail, il faut utiliser une huile de chaîne avec un additif d'adhérence. L'additif d'adhérence à l'huile de chaîne empêche une rapide jetée de l'huile du dispositif de sciage.

Pour protéger l'environnement, il est conseillé d'utiliser une huile de chaîne biodégradable. Souvent, les instances régionales prescrivent l'utilisation d'huile biodégradables.

L'huile de chaîne de sciage BIOTOP proposée par MAKITA est fabriquée à base d'huiles végétales sélectionnées et elle est 100% biodégradable. BIOTOP porte comme référence l'ange bleu d'environnement (RAL UZ 48).

L'huile de chaîne BIOTOP est disponible dans les bidons aux contenances suivantes :

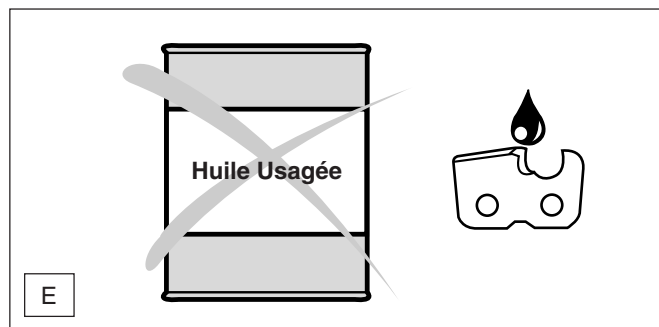
1 l	N° de commande	980 008 610
5 l	N° de commande	980 008 611
20 l	N° de commande	980 008 613

L'huile de chaîne biodégradable ne se conserve que pendant un temps limité et devra être utilisée dans un délai de 2 ans après la date de fabrication imprimée.

Remarque importante pour les huiles de chaîne de sciage bio

Avant une longue mise hors service (dépassant la date de conservation de l'huile de chaîne de sciage), le réservoir à huile doit être vidé et rempli ensuite d'un peu d'huile moteur (SAE 30). Ensuite, faire marcher la tronçonneuse pendant quelques temps de manière à rincer les restes d'huile bio du réservoir, du système de conduite d'huile et du dispositif de sciage. Cette mesure est indispensable car différentes huiles bio ont tendance à coller ce qui peut détériorer la pompe à huile ou des éléments d'alimentation d'huile.

Lors de la remise en marche, verser à nouveau l'huile de chaîne BIOTOP.



N'UTILISEZ JAMAIS DE HUILES USAGÉES

Une huile usagée est extrêmement dangereuse pour l'environnement!

Les huiles usagées contiennent une grande part de produits connus pour être cancérigènes.

Les souillures dans les huiles usagées amènent une grande usure de la pompe à huile et du dispositif de sciage.

Les dommages résultant de l'utilisation d'huiles usagées ou d'huiles de chaîne non appropriées ne sont pas couverts par la garantie.

Votre vendeur spécialisé vous informe sur la manipulation et l'utilisation d'huile de chaîne de sciage.

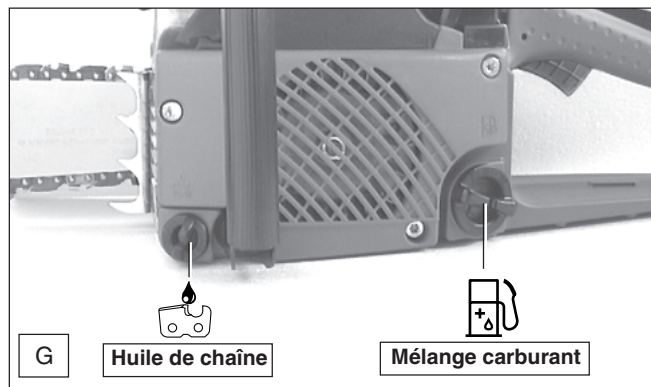


ÉVITEZ LE CONTACT AVEC LA PEAU ET LES YEUX

Les produits pétroliers, ainsi que les huiles, dégraissent la peau. Lors d'un contact répété et prolongé la peau se dessèche. Les suites peuvent être différentes maladies de peau. D'autre part, on connaît les réactions allergiques.

Le contact avec les yeux de l'huile conduit à des irritations. en cas de contact, rincer immédiatement l'oeil avec de l'eau claire. Si l'irritation continue, consulter immédiatement un médecin.

Remplissage des réservoirs



RESPECTER IMPÉRATIVEMENT LES RÈGLES DE SÉCURITÉ (PAGE 36)!

La manipulation de carburants exige une manipulation avec précaution et prudence.

Ne le faire que si le moteur est arrêté!

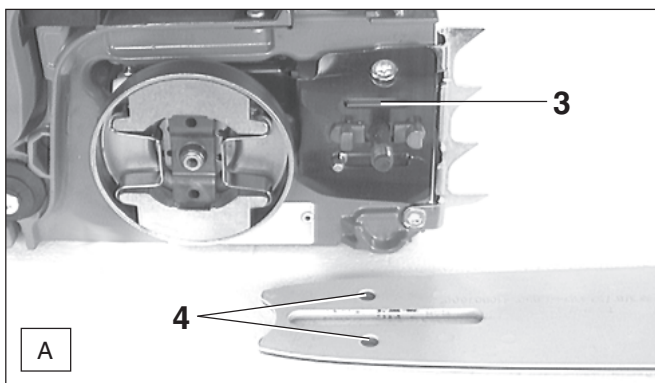
- Bien nettoyer le pourtour des emplacements de remplissage pour éviter la pénétration de salissures dans le réservoir de mélange de carburant ou d'huile.
- Dévisser le bouchon du réservoir et remplir le mélange de carburant ou l'huile jusqu'au bord inférieur de la tubulure de remplissage en prenant soin de ne pas verser à côté le mélange ou l'huile de chaîne.
- Revisser fermement le capuchon du réservoir.

Nettoyer le capuchon et le pourtour après remplissage!

Graissage de la chaîne de sciage



Pour graisser suffisamment la chaîne de sciage, il faut qu'il y ait toujours assez d'huile de chaîne dans le réservoir. Le contenu du réservoir suffit pour environ une demi-heure de marche continue.



Pour que pompe à huile fonctionne toujours parfaitement, la rainure de guidage d'huile sur le carter du vilebrequin (A/3), ainsi que les orifices d'entrée d'huile dans le rail-rail de la chaîne (A/4) doivent régulièrement être nettoyés.

Remarque:

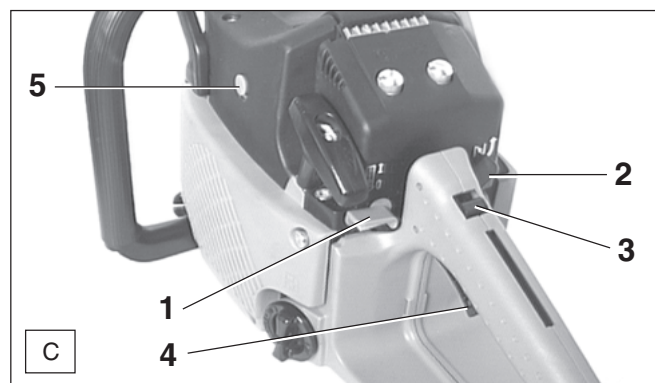
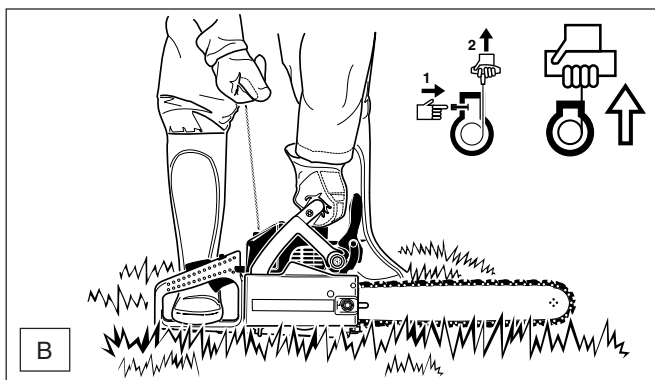
Après la mise hors service de la tronçonneuse, il est normal que de petites quantités d'huile de chaîne restant encore dans le système de conduite d'huile et sur le rail-guide s'écoulent encore un certain temps. Il ne s'agit pas d'un défaut dans ce cas.

Utiliser un support adéquat!


Démarrer le moteur

Les modèles DCS 341 et DCS 401 sont équipés d'une soupape de mise en marche semi-automatique (C/5) pour faciliter le démarrage. Le fait d'enfoncer la soupape de mise en marche réduit le travail de compression et le moteur peut alors être accéléré à une vitesse de démarrage avec un minimum de force utilisée au niveau du cordon de lancement. Etant donné que la pression s'élève sensiblement dans la chambre d'explosion à la suite des premiers allumages, la soupape de mise en marche se ferme automatiquement (le bouton ressort).

Les modèles DCS 340 et DCS 400 n'ont pas de soupape de mise en marche. Le processus de démarrage ou le réglage du carburateur correspond à celui des modèles DCS 341 et DCS 401, toutefois sans qu'il soit demandé d'appuyer sur la soupape de mise en marche.



Attention: Le moteur doit être mis au régime du ralenti dès qu'il a démarré, car autrement le frein de chaîne risque d'être endommagé.

- Libérer maintenant le frein de chaîne. 



- Démarrer le moteur au moins 3 m de l'endroit du réservoir.
- Prendre une position stable et sûre, puis placer la tronçonneuse sur le sol pour que le dispositif de sciage soit dégagé.
- Libérer le frein de chaîne (bloquer).
- Saisir fermement la poignée-étrier avec une main et plaquer la tronçonneuse sur le sol.
- Placer la pointe du pied droit dans le protège-main arrière.

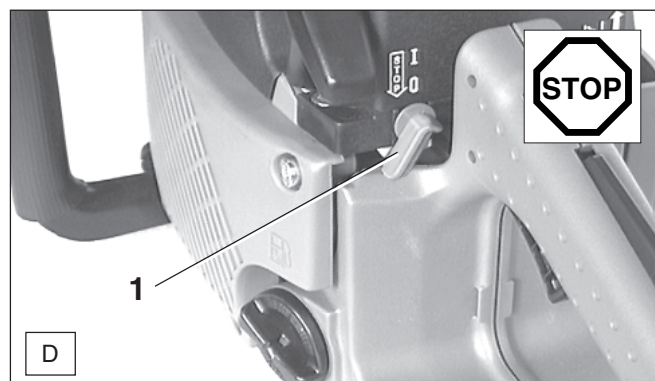
Démarrage à froid:

- Mettre le commutateur de court-circuit de l'allumage en position „I“ (C/1).
- Appuyer le levier choke (C/2) vers le haut.
- Enfoncer le bouton de blocage (C/3) et rester appuyé.
- Actionner le levier de gaz (C/4), le levier est arrêté par le bouton de blocage (C/3).
- Relâcher la poignée arrière, le levier de gaz est maintenant enclenché en position demi-gaz.
- Enfoncer la soupape de mise en marche (C/5) (seulement pour DCS 341 et DCS 401).
- Tirer le cordon de lancement lentement jusqu'à sentir une résistance (le piston se trouve au point mort haut).
- Puis, tirer fortement et rapidement jusqu'au déclenchement du premier allumage audible.

Démarrage à chaud:

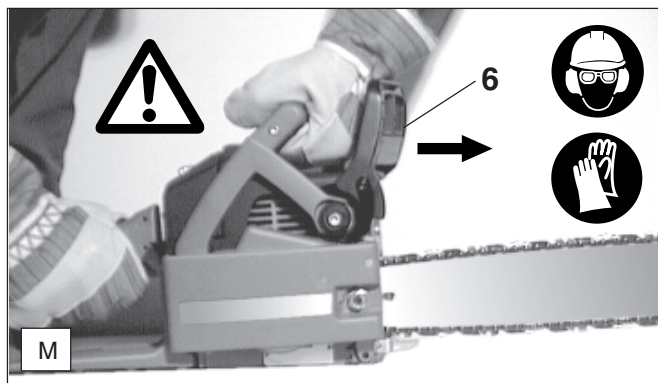
- Comme décrit pour le démarrage à froid, sans toutefois actionner le levier choke (C/2). Le levier choke reste enfoncé vers le bas.

Arrêter le moteur



- Amener le commutateur de court-circuit (D/1) en position „O“ (STOP).

Vérifier le frein de chaîne



Le frein de chaîne doit être vérifié avant de commencer tous travaux.

- Démarrer le moteur comme décrit (prendre une position stable et poser la tronçonneuse sur le sol de façon à ce que le dispositif de sciage soit libre).
- **Bien** tenir la poignée-étrier d'une main, l'autre main étant sur la manette.
- Laisser tourner le moteur à mi-vitesse et appuyer sur le protège-mains (E/1) avec le dos de la main dans la sens de la flèche jusqu'à ce que le frein de chaîne se bloque. La chaîne de sciage doit immédiatement s'immobiliser.
- Faire tourner immédiatement le moteur au ralenti et resserrer le frein de chaîne.

ATTENTION: Si la chaîne de sciage ne s'arrête pas immédiatement après ce contrôle, il ne faut en aucun cas commencer à travailler. Prière de consulter un atelier spécialisé MAKITA.

Réglage du carburateur

ATTENTION:

Le réglage du carburateur sert à obtenir la puissance maximum. Il doit être effectué le moteur étant chaud et avec un filtre d'air propre; il devra être effectué si possible par un spécialiste.

Le carburateur est réglé en usine pour des conditions de pression d'air au niveau de la mer. Pour d'autres conditions de pression d'air et par suite d'une période de rodage sur une nouvelle machine, il est parfois nécessaire de reprendre le réglage du carburateur.

Le réglage exact du carburateur exige un tachymètre (G/1) (N° de commande 950 233 210). Procéder au réglage du carburateur avec un tournevis (largeur de lame 4 mm).

Le tournevis de la photo (G/2) (N° de commande 944 340 001) dispose d'un nez coulé servant au réglage.

Avant le réglage du carburateur, la machine doit être mise en température par une marche de 3 à 5 minutes.



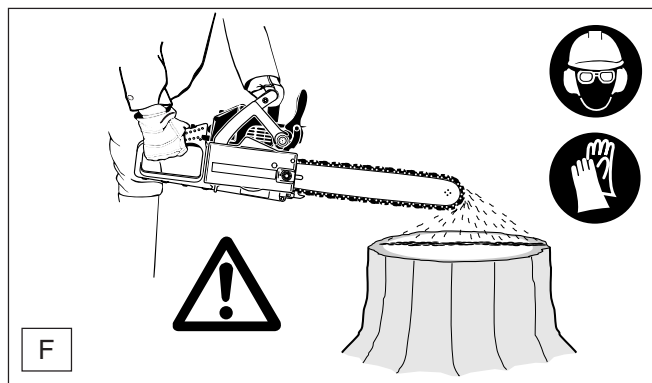
Les opérations suivantes sont nécessaires pour un réglage correct:

1. Faire tourner le moteur pour qu'il soit chaud
2. Arrêter le moteur
3. Réglage de base
4. Démarrer le moteur
5. Régler le régime du ralenti
6. Régler la vitesse de rotation
7. Contrôler la vitesse du régime du ralenti
8. Contrôler l'accélération
9. Contrôler la vitesse de rotation max. resp. la puissance
10. Répéter les opérations à partir du point 5 jusqu'à ce que la vitesse de rotation du ralenti, la vitesse de rotation max. et l'accélération soient atteints pour le réglage trouvé.

Réglage de base (point 3) 

- D'abord visser prudemment vers la droite (dans le sens horaire) les 2 vis de réglage du gicleur principal (G/3) et du gicleur de ralenti (G/4) jusqu'à sentir la butée.

Vérifier le graissage de la chaîne



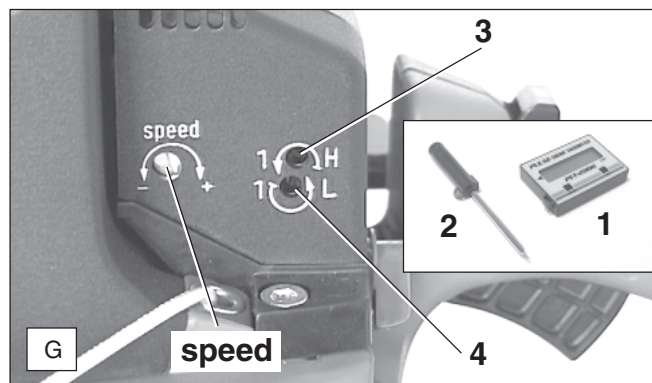
Ne jamais scier sans graissage suffisant. Vous risquez sinon de réduire la durée de vie du dispositif de sciage!

Vérifier avant de démarrer le travail la quantité d'huile dans le réservoir, ainsi que le débit d'huile.

Le débit d'huile peut être vérifié de la manière suivante:

- Démarrer la tronçonneuse.
- Maintenir la chaîne de sciage en marche env. 15 cm par dessus une souche d'arbre ou le sol (choisir une base adéquate).

Lorsque le graissage est suffisant, on doit observer une légère trace d'huile par l'huile éjectée.



- Dévisser ensuite les deux vis de réglage chacune d'un tour vers la gauche (dans le sens contraire des aiguilles).

Réglage du ralenti (marche à vide) (point 5) 

- Si la chaîne est entraînée le moteur étant en marche, dévisser la vis de butée de clapet d'étranglement (G/speed) jusqu'à ce que la chaîne ne tourne plus. Si le moteur ne tourne pas bien rond, visser la vis (G/speed).
- Le ralenti doit être de 2,600 tours/minute.

Réglage de la vitesse de rotation resp. de la puissance (point 6)

- La vitesse de rotation est à régler en ajustant la vis du gicleur principal (G/3) entre 11,500 (DCS 340, 341) à 12,000 (DCS 400, 401) 1/min.

Contrôler la vitesse de rotation au ralenti (point 7)

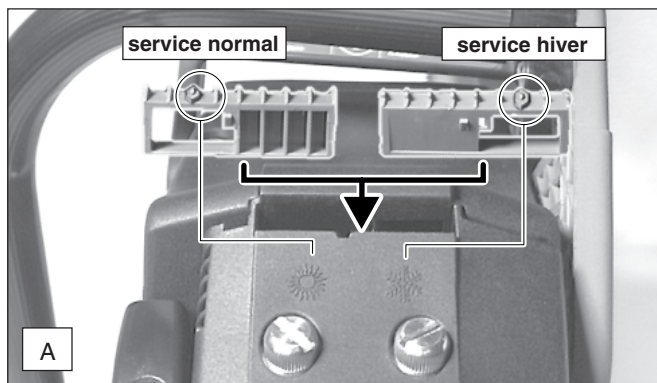
- La vitesse de rotation au ralenti doit être contrôlée selon le réglage maximum de la vitesse de rotation de 2,600 1/min (la chaîne ne doit pas tourner) resp. à corriger par réglage de la vis du gicleur de ralenti (G/4). Ce faisant, plus la vis (G/4) est enfoncée, plus grande sera la vitesse de moteur et inversement, moins on enfoncera la vis (G/4) moindre sera la vitesse.

Contrôler l'accélération (point 8)

- Maintenant, il faut vérifier l'accélération, c'est-à-dire le temps nécessaire pour la montée de la vitesse de rotation à partir du ralenti jusqu'à la vitesse de rotation maximum, en actionnant le levier de gaz brusquement.
- Lors d'une accélération trop lente il faut dévisser la vis du ralenti (G/4) d'env. 1/8 de rotation.

Ne faites pas tourner le moteur à plein régime à vide. Ne mettez les gaz à fond que pour scier!

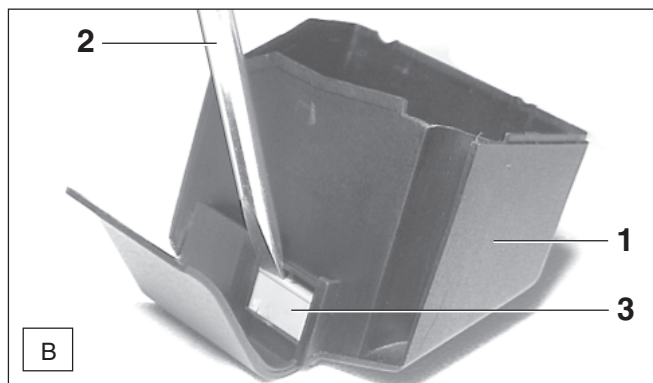
Marche hivernale



Pour éviter que le carburant gèle lors de températures basses et en cas d'humidité de l'air élevée et pour atteindre plus rapidement la température de service lors de températures inférieures à 0° C, de l'air chaud peut être aspiré par le cylindre (A/repère sur l'insert en position „service hiver“).

Pour des températures supérieures à 0° C, de l'air froid doit être impérativement aspiré (A/repère sur l'insert en position „service normal“).

En ne respectant pas cette consigne, le cylindre et le piston peuvent être endommagés!



- Enlever le couvercle du filtre (B/1)
- Poser la clé combinée (B/2) comme sur la photo B et enlever l'insert (B/3) en heurtant légèrement contre la vis combinée.
- Enfoncer l'insert (B/3) en mode de fonctionnement nécessaire, le repère indiquant le symbole soleil ou service hiver (photo A).
- Monter le couvercle du filtre (B/1).

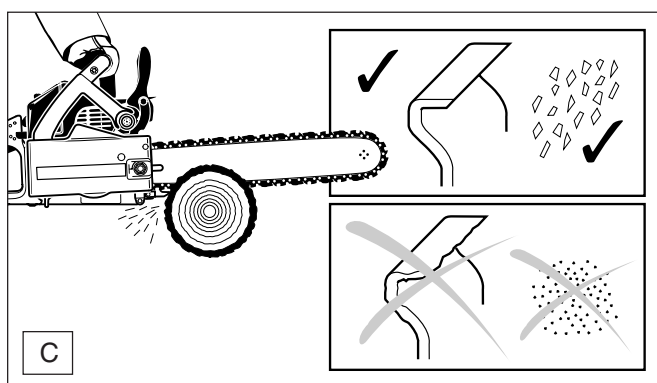
TRAVAUX DE MAINTENANCE

Affûtage de la chaîne de sciage



ATTENTION:

Pour tous travaux effectués sur le rail-guide de la chaîne de sciage, le moteur doit être impérativement arrêté et la fiche de bougie doit être enlevée (voir paragraphe pour le remplacement de la bougie) et le port de gants de protection est obligatoire!



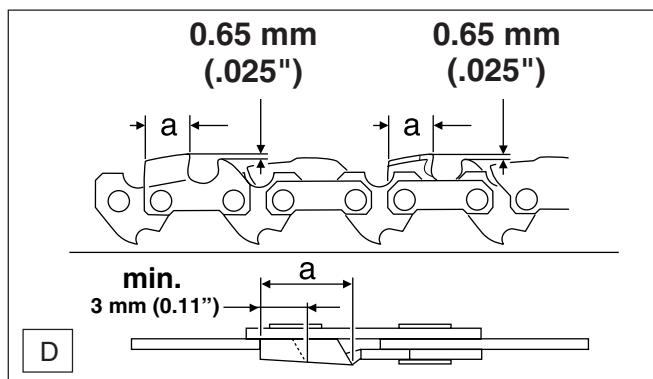
La chaîne de sciage doit être affûtée lorsque :

- les copeaux deviennent farineux en sciant du bois humide.
- la chaîne, tout en exerçant une forte pression, ne „tire“ que péniblement dans le bois.
- les arêtes de coupe sont visiblement endommagées.
- le dispositif de sciage gauchit dans le bois latéralement vers la gauche ou la droite. La raison est un affûtage irrégulier de la chaîne de sciage.

Important : affûter souvent, sans enlever de trop de matériau!

Lors d'un simple affûtage, il suffit souvent de 2 à 3 coups de lime.

Après avoir effectué soi-même plusieurs affûtages, faire affûter la chaîne à l'atelier spécialisé.



Critères d'affûtage :

ATTENTION :

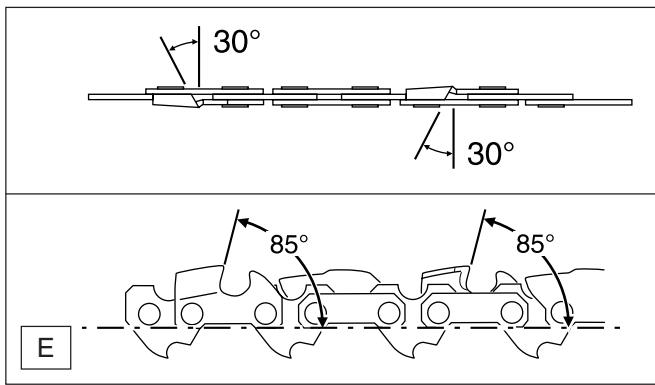
N'utiliser que des chaînes et rail-guide permis pour cette tronçonneuse (voir extrait de la liste de pièces de rechange)!

- Toutes les dents de rabotage doivent avoir la même longueur (dimension a). Des dents de rabotage de hauteur différente signifient une marche dure de la chaîne et peuvent provoquer des ruptures de chaîne!
- Longueur minimale de dent de rabotage = 0.11" (3 mm). Ne pas raffûter la chaîne de sciage lorsque la longueur minimale de dent de rabotage est atteinte. Une nouvelle chaîne de sciage doit être alors montée (voir „extrait de la liste des pièces de rechange“ et chapitre „Nouvelle chaîne de sciage“).
- L'écart entre le limiteur de profondeur (nez rond) et l'arête de coupe détermine l'épaisseur du copeau.
- Les meilleurs résultats de coupe sont obtenus avec une distance du limiteur de profondeur de 0.65 mm (.025").

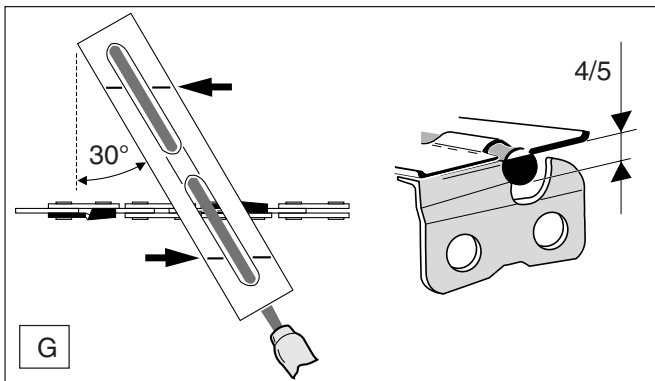
ATTENTION:

Une distance trop grande augmente le danger d'un choc de recul!





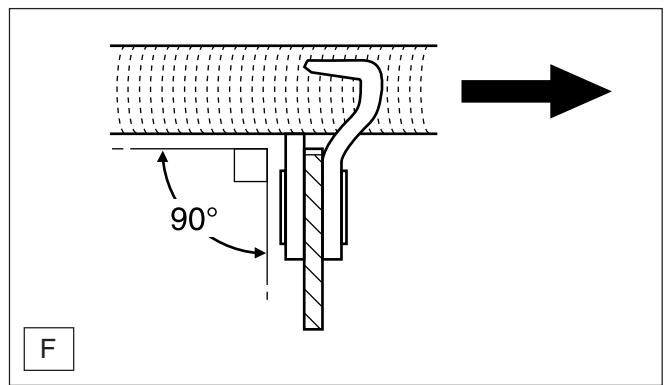
- L'angle d'affûtage de 30° doit être absolument identique pour toutes les dents de rabotage. Des angles différents provoquent une marche irrégulière et rude de la chaîne, augmentent l'usure et aboutissent à des ruptures de chaîne!
- L'angle d'arasement de la dent de rabotage de 85° s'obtient par la profondeur de pénétration de la lime ronde. Si la lime prescrite est guidée correctement, l'angle d'arasement correct s'obtient par lui même.



- Un porte-lime facilite le guidage de la lame, il porte des repères pour l'angle d'affûtage correct de 30° (orienter les repères parallèlement à la chaîne de scie) et limite la profondeur de pénétration (4/5 du diamètre de la lime). Voir accessoires pour le n° de commande.

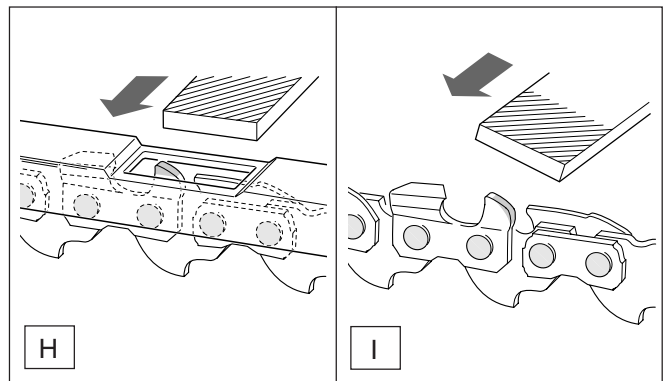
Nettoyer le rail-guide de la chaîne Regraisser l'étoile de déviation

ATTENTION!
Porter impérativement des gants de protection.



Lime et guidage de la lime

- Pour l'affûtage il faut utiliser une lime de chaîne de sciage spéciale (ø 4 mm). Les limes rondes normales ne sont pas appropriées. Numéro de commande, voir accessoires.
- La lime ne doit attaquer que lors de la passe en avant (flèche). Lors du retour, relever la lime du matériel.
- La dent de rabotage la plus courte est affûtée la première. La longueur de cette dent est alors la mesure type pour toutes les autres dents de rabotage de la chaîne de sciage.
- Conduire la lime horizontalement (90° par rapport au rail-guide).



- A la suite du nouvel affûtage, vérifier la hauteur du limiteur de profondeur avec la jauge de mesure pour chaîne. Voir accessoires pour le n° de commande.
- Enlever avec la lime plate spéciale (H) tout dépassement, même le moindre.
- Arrondir à nouveau le limiteur de profondeur à l'avant (I).

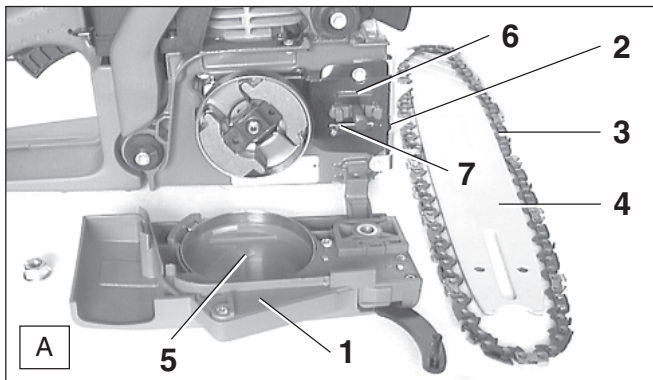
Les surfaces de roulement du guide-chaîne de chaîne doivent être régulièrement vérifiées pour voir si elles ne sont pas endommagées et nettoyées avec un outillage adapté.

En cas d'utilisation intense de la tronçonneuse électrique, il est nécessaire de regraisser régulièrement (1 x par semaine) le palier de l'étoile de déviation. Nettoyer **avec précaution** le perçage de 2 mm sur la pointe du guide-chaîne avant le graissage et y presser une faible quantité de graisse polyvalente.

La graisse polyvalente et la pompe à graisse sont disponibles en option.

Graisse polyvalente (n° de commande 944 360 000)
Pompe à graisse (n° de commande 944 350 000)

Nettoyer l'intérieur de la bande de frein de chaîne et de la roue à chaîne



ATTENTION: Pour tous travaux effectués sur le rail-guide de la chaîne de sciage, le moteur doit être impérativement arrêté et la fiche de bougie doit être enlevée (voir paragraphe pour le remplacement de la bougie) et le port de gants de protection est obligatoire!

ATTENTION: La tronçonneuse ne peut être démarrée qu'après le montage complet et le contrôle effectué!

- Enlever la protection de roue à chaîne (A/1) (voir chapitre „MISE EN ROUTE“ A-B).
- Tourner la vis pour tendre la chaîne dans le sens inverse des aiguilles jusqu'à ce que vous ressentiez une résistance.
- Enlever la chaîne de sciage (A/3) et le guide-rail de chaîne.
- Nettoyer l'intérieur, en particulier la zone de la bande de frein (A/5) à l'aide d'un pinceau.

REMARQUE :

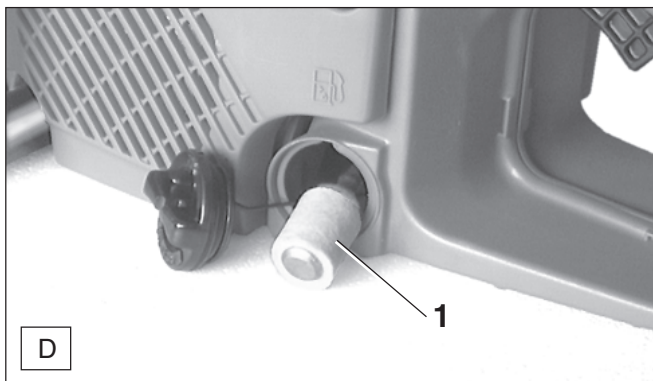
Veiller à ce qu'aucun résidu ne reste dans la rainure de guidage de l'huile (A/6) et sur le tendeur de chaîne (A/7).

- Montage du rail-guide de chaîne, de la chaîne de sciage et de la protection de la roue à chaîne voir chapitre „MISE EN ROUTE“.

REMARQUE:

Le frein de chaîne est un dispositif de sécurité très important et il est soumis comme chaque pièce à une certaine usure. Une vérification et une maintenance régulières servent à vous assurer votre propre protection et doivent être effectuées par un atelier spécialisé MAKITA .

Remplacement de la crépine d'aspiration



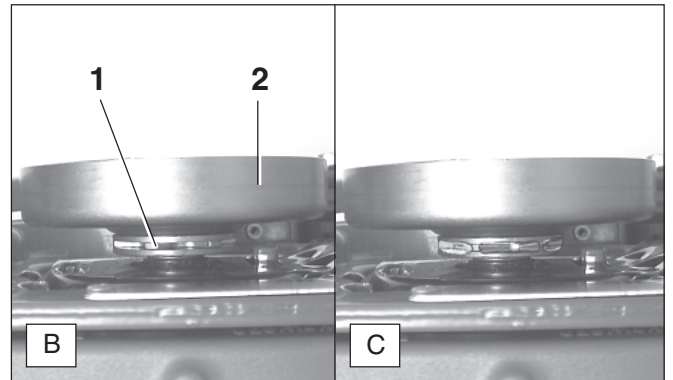
Le filtre feutre (D/1) de la crépine d'aspiration peut se boucher pendant l'utilisation. Pour assurer une alimentation sans problème du carburant vers le carburateur, la crépine d'aspiration devra être remplacée environ tous les 3 mois.

Retirer la crépine d'aspiration avec un crochet en fil de fer à travers l'orifice de fermeture du réservoir.

Nouvelle chaîne de sciage

ATTENTION :

N'utiliser que des chaînes et rail-guide permises pour cette tronçonneuse (voir extrait de la liste de pièces de rechange)!



Avant de monter une nouvelle chaîne de sciage, il faut vérifier l'état de la roue à chaîne (B/1).

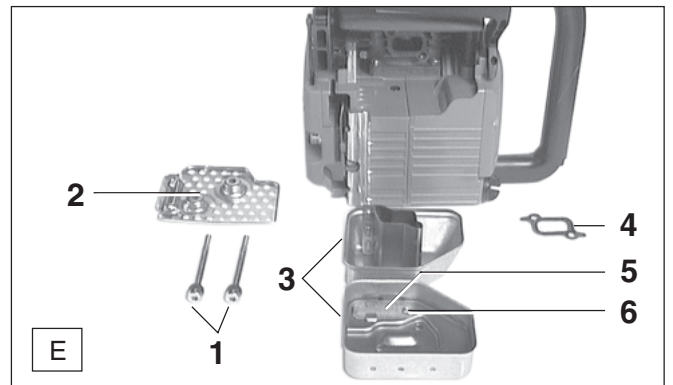
La roue à chaîne se trouve sous le tambour d'accouplement (B/2).

ATTENTION :

Des roues à chaîne usées (C) provoquent des détériorations sur une nouvelle chaîne de sciage et doivent impérativement être remplacées.

Le remplacement de la roue à chaîne exige une formation spécialisée et doit être effectué par un atelier spécialisé MAKITA équipé d'un outillage spécial.

Changement / nettoyage du pare-étincelles



Il faut vérifier et nettoyer régulièrement le pare-étincelles.

- Dévissez les boulons du pot d'échappement (E/1) et retirez l'écran de protection (E/2).
- Retirez avec soin le pot d'échappement (E/3).

REMARQUE: si le joint du pot d'échappement (E/4) est détérioré, changez-le.

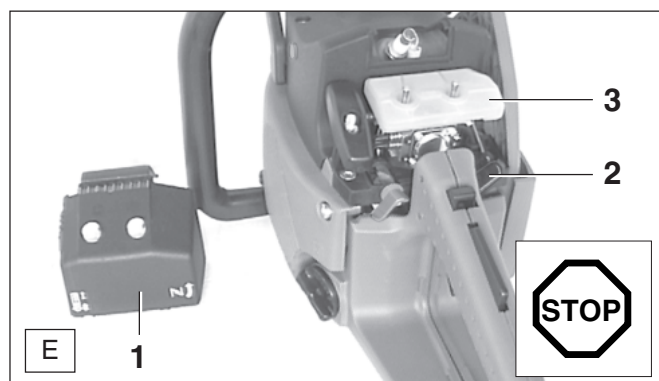
- Dévissez le boulon (E/6) et retirez le pare-étincelles (E/5).

ATTENTION:

N'utilisez pas d'objets coupants ou pointus pour nettoyer le pare-étincelles car vous pourriez endommager ou déformer les fils du pare-étincelles.

- Remontez le pare-étincelles (E/5) et serrez la vis (E/6).
- Serrez les boulons du pot d'échappement (E/1) à $5.6^{+0.07}$ ft. lbs. ($8.0^{+0.1}$ Nm).

Nettoyage du filtre d'air



- Dévisser le couvercle du filtre (E/1) et le retirer (2 vis).

ATTENTION:

Fermer le clapet du choke en tirant le levier du choke (E/2) pour éviter que des particules de salissures tombent dans le carburateur.

- Retirer le filtre à air (E/3) du carburateur.
- Couvrir le carburateur avec un chiffon propre.



- Prendre et séparer la partie inférieure et supérieure du filtre à air comme montré sur la photo F.

ATTENTION :

Pour éviter toute blessure aux yeux, ne pas souffler les particules de salissure.

Ne pas nettoyer le filtre à air à l'essence.

- Nettoyer le filtre à air avec un pinceau ou une brosse douce.
- Laver des filtres à air fortement encrassés dans de l'eau savonneuse tiède avec du détergent usuel de machine à laver la vaisselle.
- **Bien sécher** le filtre à air.
- Rassembler la partie supérieure et inférieure.
- Avant de procéder au montage du filtre à air, contrôler le clapet du choke pour voir si des particules de salissure ne sont pas tombées dans le carburateur. Les enlever éventuellement à l'aide d'un pinceau.

En cas de fort encrassement, procéder à un nettoyage plus fréquent (plusieurs fois par jour), car seul un filtre à air propre assure la pleine puissance du moteur.

ATTENTION:

Remplacer immédiatement des filtres à air endommagés! Des morceaux de tissu déchirés et des particules de salissure grossières peuvent détériorer le moteur.

Remplacement de bougie



ATTENTION

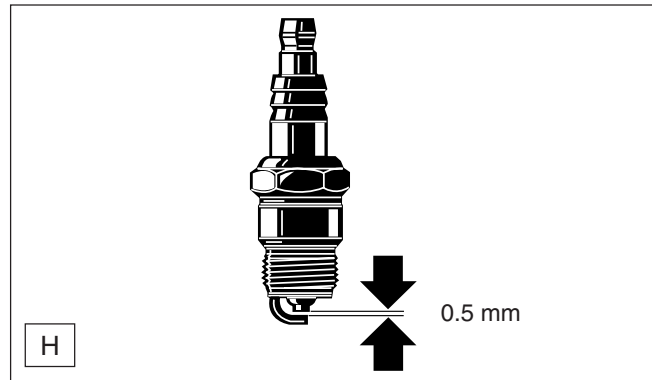
Les bougies d'allumage ou la fiche de la bougie ne doivent pas être touchés le moteur en marche (haute tension).

N'effectuer des travaux de maintenance que si le moteur est arrêté.

Risque de brûlure lorsque le moteur est chaud : porter absolument vos gants de protection!

En cas de détérioration du corps isolant, d'usure importante des électrodes resp. d'électrodes très encrassées ou pleines d'huile, il faut procéder à un remplacement de la bougie.

- Enlever le couvercle du filtre (voir nettoyage du filtre à air, photo E/1).
- Retirer la fiche de la bougie (G/1) de la bougie. Démontez la bougie uniquement avec la clé combinée comprise dans la fourniture.



Ecartement des électrodes

L'écartement des électrodes doit être de 0.5 mm.

ATTENTION: N'utilisez comme rechange que les bougies:

- **NGK BPMR 6F** ou
- **CHAMPION RDJ-7Y.**

Vérification de l'étincelle d'allumage

- Approcher une bougie dévissée avec le câble solidement enfiché en la maintenant avec une pince contre le cylindre (pas à proximité de l'orifice de la bougie!).
- Placer le commutateur Start/Stop en position „I“.
- Tirer fortement sur le cordon de lancement.

En fonctionnement correct, l'étincelle doit être visible sur les électrodes.

Instruction d'entretien quotidien et périodique

Pour obtenir une longue durée de vie et pour éviter des détériorations, il faut effectuer régulièrement les travaux de maintenance décrits ci-après. Des demandes en garantie ne pourront être acceptées que si les travaux ont été effectués régulièrement et d'une façon ordonnée.

Procédez aux opérations de maintenance suivantes tous les jours après le travail. Prenez-en l'habitude, car cela ne prend pas beaucoup de temps et c'est la garantie que votre tronçonneuse fonctionnera toujours correctement.

Cela permet également de détecter les défauts cachés avant qu'ils n'entraînent des interruptions gênantes et onéreuses de votre travail. Si vous détectez un défaut du système de sécurité en procédant à l'entretien quotidien, n'utilisez pas la tronçonneuse avant d'avoir remédié au défaut.

Les utilisateurs de tronçonneuses doivent effectuer que les travaux de maintenance et d'entretien qui sont décrits dans la notice d'emploi. Les travaux non compris dans cette liste ne doivent être exécutés que dans un atelier spécialisé de MAKITA .

Page

Généralités	Tronçonneuse entière	Nettoyer l'extérieur et vérifier si elle n'est pas détériorée. En cas de détériorations, faire effectuer immédiatement les réparations par un spécialiste.	
	Chaîne de sciage Frein à chaîne Rail-guide de chaîne	Raffûter régulièrement, remplacer à temps Faire vérifier régulièrement par l'atelier spécialisé Tourner afin que les surfaces de roulement sollicitées s'usent de manière régulière.	53-54 48
Avant toute mise en route	Chaîne de sciage	Vérifier le tranchant et si elle n'est pas détériorée. Contrôler la tension de la chaîne.	53 48
	Rail-guide de la chaîne	Vérifier s'il n'est pas détérioré	
	Graissage de la chaîne	Vérifier le fonctionnement	52
	Frein de chaîne Commutateur STOP Touche de blocage de sécurité Levier de gaz Fermeture réservoirs huile et carburant	Vérifier le fonctionnement Vérifier l'étanchéité	49 51
Journallement	Filtre à air	Nettoyer	56
	Rail guide de la chaîne	Vérifier si il n'est pas détérioré, nettoyer l'orifice d'entrée d'huile	51
	Support, rail guide de chaîne	Nettoyer, particulièrement la rainure d'alimentation d'huile	51, 55
	Vitesse de rotation à vide	Contrôler (la chaîne ne doit pas être entraînée)	52
Toutes les semaines	Carter du ventilateur	Nettoyer pour garantir un parfait guidage de l'air de refroidissement.	
	Enceinte du carburateur	Nettoyer, pour cela démonter le couvercle du filtre	56
	Frein de chaîne	Nettoyer la bande du frein (sciures, huile)	55
	Bougie	Vérifier, le cas échéant, remplacer	56
	Silencieux	Vérification du serrage, nettoyage du pare-étincelles.	55
	Capteur de chaîne	Vérifier	54
Tous les 3 mois	Crépine d'aspiration	Remplacer	
	Réservoirs carburant/huile	Nettoyer	55
Stockage	Tronçonneuse entière	Nettoyer l'extérieur et vérifier si elle n'est pas détériorée. En cas de détériorations, faire effectuer immédiatement les réparations par un spécialiste.	
	Chaîne de sciage et rail guide de la chaîne Réservoirs carburant/huile Carburateur	Démonter, nettoyer et légèrement huiler Nettoyer la rainure de guidage du rail guide de la chaîne Vidanger et nettoyer Le laisser se vider en marche	55

Service d'atelier, pièces de rechange et garantie

Maintenance et réparations

La maintenance et la remise en état de tronçonneuses modernes ainsi que les éléments les plus importants de la sécurité exigent une formation professionnelle qualifiée et un atelier équipé d'outillage spécial et d'appareils de contrôle.

MAKITA conseille donc de faire exécuter tous les travaux de maintenance non décrits dans la notice d'emploi par un atelier spécialisé MAKITA . Le spécialiste dispose de la formation, de l'expérience et des équipements nécessaires pour vous apporter chaque fois la solution économique la plus avantageuse et vous apporte une aide d'assistance en pratique et en conseil.

Veillez vous adresser à la représentation générale indiquée au dos de la présente notice ou à l'importateur désigné. Vous y recevrez l'adresse de l'atelier spécialisé la plus proche de chez vous.

Pièces de rechange

Le fonctionnement permanent fiable et la sécurité de votre appareil dépend aussi de la qualité des pièces de rechange utilisées. N'utilisez que des pièces de rechange d'origine MAKITA, signalées par 

Seules les pièces d'origine proviennent de la chaîne de production de l'appareil et vous assurent donc la qualité optimale du matériau, du respect des dimensions et du fonctionnement.

Les pièces accessoires et de rechange d'origine vous sont proposées par votre vendeur spécialisé. Il dispose des listes de pièces de rechange nécessaires pour déterminer le numéro de la pièce de rechange nécessaire, et vous informera à fur et à mesure des améliorations de détail et des nouveautés dans l'offre des pièces de rechange.

Veillez aussi noter, qu'en utilisant des pièces qui ne sont pas d'origine de MAKITA vous perdez tout droit à la garantie de l'organisation MAKITA.

Garantie

MAKITA garantit un qualité irréprochable et supporte les frais pour une amélioration par remplacement des pièces défectueuses dans le cas de défauts de matériel ou de fabrication qui se présentent dans le délai de garantie après le jour de vente. Veuillez noter que dans certains pays, il existe des conditions de garantie spécifiques. Adressez vous, en cas de doute, à votre vendeur. En tant que vendeur du produit, il doit vous assurer la garantie.

Nous vous prions de comprendre que nous ne pouvons pas assurer la garantie pour les causes de détériorations suivantes:

- Non respect de la notice d'emploi
- Non exécution des travaux de maintenance et réparations nécessaires
- Détériorations par suite d'un réglage non conforme du carburateur
- Usure normale
- Surcharge manifeste par dépassement permanent de la limite supérieure de la puissance
- Utilisation de types de chaînes et de rails-guides de la chaîne non agréés
- Utilisation de longueurs de chaînes et de rails-guides de la chaînes non admises
- Forçage, traitement non conforme, emploi non autorisé ou cas d'accidents
- Détériorations de surchauffe causées par des encrassements du carter du ventilateur.
- Interventions de personnes non compétentes ou essais de réparations non conformes
- Utilisation de pièces de rechange non appropriées resp. de pièces non d'origine MAKITA, dans la mesure où elles sont sources de détériorations
- Utilisation de produits de fonctionnement inadaptés ou superposés
- Détériorations provenant de conditions d'utilisation du magasin de location

Les travaux de nettoyage, d'entretien et de réglage ne sont pas reconnus comme prestations de garantie. Tout travail au titre de la garantie est à effectuer par le vendeur spécialiste MAKITA.

Recherche de pannes

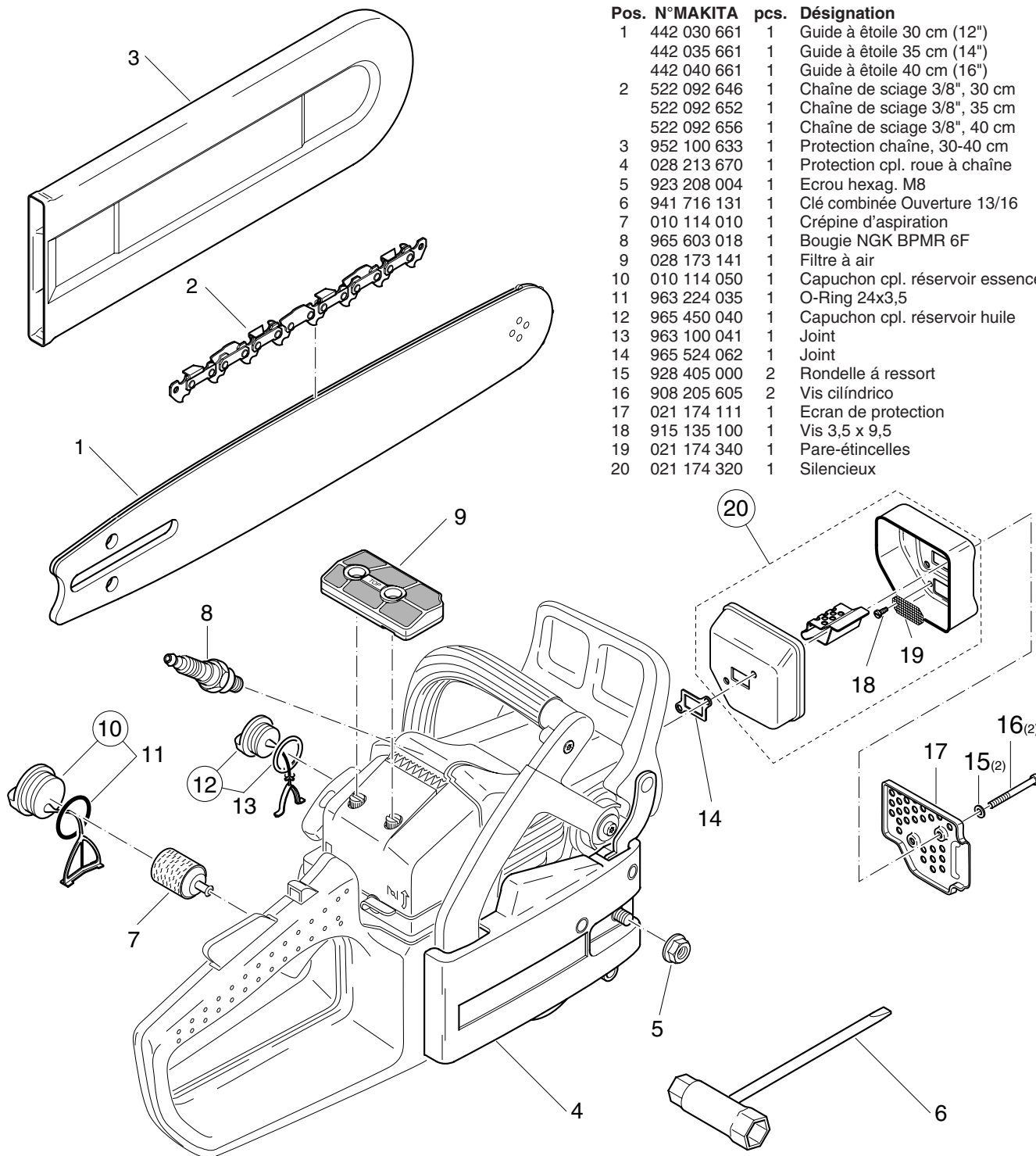
Panne	Système	Observation	Origine
Chaîne ne démarre pas	Frein de chaîne	Moteur tourne	Frein de chaîne enclenché
Moteur ne démarre pas ou démarre difficilement	Système d'allumage Alimentation carburant Système de compression Défaut mécanique	Allumage existe Pas d'allumage Réservoir carburant rempli A l'intérieur de l'appareil A l'extérieur de l'appareil Lanceur n'accroche pas	Défaut dans l'alimentation du carburant, système de compression, défaut mécanique Commutateur STOP enclenché, défaut ou court-circuit dans le câblage, fiche de bougie, bougie défectueuse Choke en mauvaise position, carburateur défectueux, crépine d'aspiration bouchée, conduite de carburant sectionnée ou coincée Joint du pied de cylindre défectueux, bagues à lèvres endommagées, segments de cylindre ou de pistons endommagés Bougie n'est pas étanche Ressort dans le démarreur brisé, pièces brisées à l'intérieur du moteur
Problèmes de démarrage à chaud	Carburateur	Carburant dans réservoir Etincelle existante	Réglage du carburateur non correct
Moteur démarre, mais s'arrête immédiatement après	Alimentation carburant	Carburant dans réservoir	Réglage du ralenti non correct, crépine d'aspiration ou carburateur encrassé Aération réservoir défectueux, conduite carburant interrompue, câble défectueux, commutateur STOP endommagé, Soupape de mise en marche encrassée (DCS 341/DCS 401)
Manque puissance	Plusieurs systèmes peuvent être mis en cause	Appareil tourne au ralenti	Filtre d'air encrassé, faux réglage du carburateur, silencieux bouché, tuyau d'échappement des gaz dans le cylindre est bouché
Pas de graissage de la chaîne	Réservoir d'huile, pompe d'huile	Pas d'huile de chaîne sur la chaîne de sciage	Réservoir d'huile vide Rainure d'alimentation d'huile encrassée

Extrait de la liste des pièces de rechange

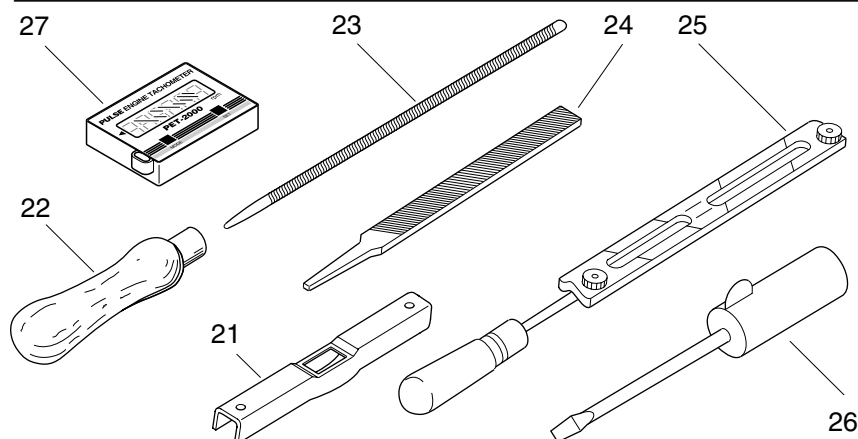
N'utilisez que des pièces de rechange d'origine MAKITA. Pour les réparations et la rechange pour d'autres pièces, votre atelier spécialisé MAKITA est compétent.

DCS 340 / DCS 341

DCS 400 / DCS 401



Pos.	N°MAKITA	pcs.	Désignation
1	442 030 661	1	Guide à étoile 30 cm (12")
	442 035 661	1	Guide à étoile 35 cm (14")
	442 040 661	1	Guide à étoile 40 cm (16")
2	522 092 646	1	Chaîne de sciage 3/8", 30 cm
	522 092 652	1	Chaîne de sciage 3/8", 35 cm
	522 092 656	1	Chaîne de sciage 3/8", 40 cm
3	952 100 633	1	Protection chaîne, 30-40 cm
4	028 213 670	1	Protection cpl. roue à chaîne
5	923 208 004	1	Ecrou hexag. M8
6	941 716 131	1	Clé combinée Ouverture 13/16
7	010 114 010	1	Crépine d'aspiration
8	965 603 018	1	Bougie NGK BPMR 6F
9	028 173 141	1	Filtre à air
10	010 114 050	1	Capuchon cpl. réservoir essence
11	963 224 035	1	O-Ring 24x3,5
12	965 450 040	1	Capuchon cpl. réservoir huile
13	963 100 041	1	Joint
14	965 524 062	1	Joint
15	928 405 000	2	Rondelle à ressort
16	908 205 605	2	Vis cylindrico
17	021 174 111	1	Ecran de protection
18	915 135 100	1	Vis 3,5 x 9,5
19	021 174 340	1	Pare-étincelles
20	021 174 320	1	Silencieux



Accessoires (non compris dans la livraison)			
14	953 100 090	1	Jauge de mesure des chaînes
15	953 004 010	1	Manche de lime
16	953 003 090	1	Lime ronde ø 4 mm
17	953 003 060	1	Lime plate
18	953 030 010	1	Porte lime (avec lime ronde ø 4 mm)
19	944 340 001	1	Tournevis pour carburateur
20	950 233 210	1	Tachymètre
-	949 000 031	1	Nourrice combinée (pour 5l carburant, 2,5l huile)



MAKITA U.S.A., INC.

14930-C Northam Street
La Mirada
CA 90638-5753

MAKITA CANADA INC.

DOLMAR Division
1950 Forbes Street
Whitby, Ontario
Canada, L1N 7B7

Form: 995 707 805 (1097 GB, F)
Specifications subject to change without notice
Changements sans préavis